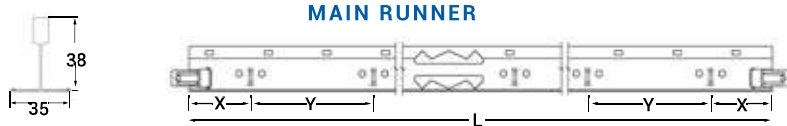
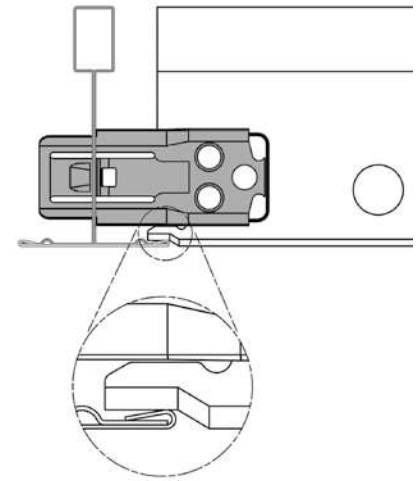
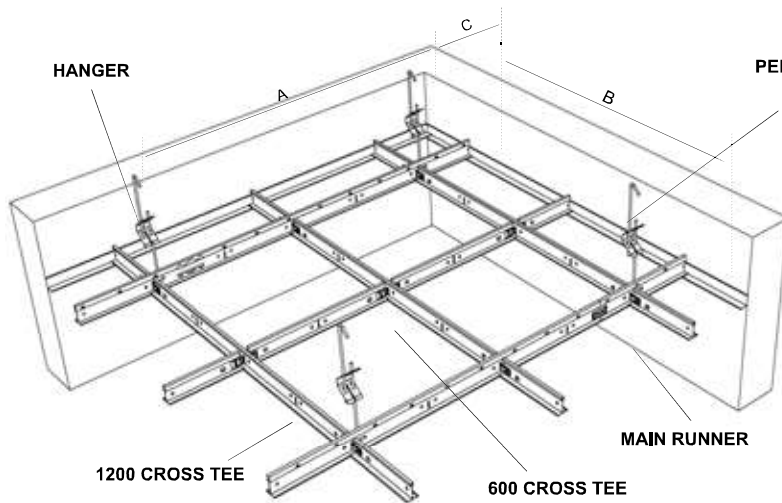
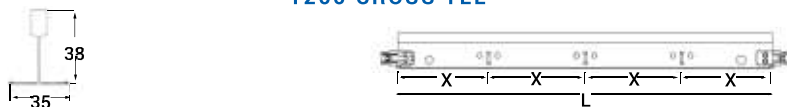


HD35 System Teetanium®

Exposed 35 mm Ceiling Grid
Click system with joggled end detail



1200 CROSS TEE



600 CROSS TEE



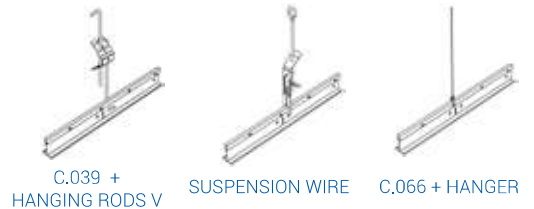
1500 CROSS TEE



1000 CROSS TEE



ACCESSORIES (page n.80)



Structure according to EN 13964.



Reaction to fire certification - in progress.



Corrosion resistance according to Standards EN 13964 Class B.



Profiles with different lengths upon request.



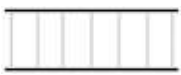
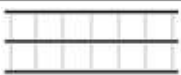
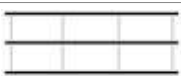
The load per m^2 must be distributed uniformly (no points loads) over the ceiling area.
The deflection load has been calculated in accordance with the class 1 (L/500) of EN 13964, provided the grid layout is as presented in the sketch. Concentrated loads or additional weights such as lights, smoke detectors, air ducts, suspended signs, etc... are not allowed.
The maximum loads per m^2 shown in the table include ceiling tile weights and any additional weight, such as mineral wool or glass fiber, to improve the acoustic and fire resistance features.

HD35 System

Modules: 600x600 - 1200x600 / 625x625 - 1250x625
 also available in 610 and 675 module
 white - matt black - galvanized

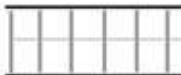

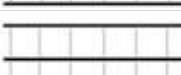
HD35 SYSTEM - MODULE 600x600 _ 1200x600

	DIMENSIONS (mm)			CODE	JOINT HOLE POS. (mm)		CARTON CONTENT			CARTONS PER PALLET	MATERIAL NEEDED PER m ² CEILING	
	L	H	B		X	Y	Pieces N.	m	Kg		Module 600x600	Module 1200x600
MAIN RUNNER	3700	38	35	M35383700B	50	100	12	44.40	17.5	24	0.83	0.83
CROSS TEE	1200			C35381200B	300	-	40	48.00	16.8	48	1.67	1.67
CROSS TEE	600			C3538600B	300	-	40	24.00	8.4	48	0.83	-
¹⁵⁰⁰ CROSS TEE	1500			C35381500B	750	-	40	48.00	21.0	48	-	-
¹⁰⁰⁰ CROSS TEE	1000			C35381000B	500	-	40	40.00	14.0	48	-	-

MAXIMUM PERMISSIBLE PAYLOAD kg/m ²	Suspensions Distance (A)		(mm)	800	1000	1200	1500	
	MODULE	Main runner distance 1200 mm (B)	600x600	18.5	14	9.5	-	
			1200x600	19	15	10	-	
		Main runner distance 600 mm (B)	600x600	30	30	22.5	22.5	
			1200x600	30	30	22.5	11	

HD35 SYSTEM - MODULE 625x625 _ 1250x625

	DIMENSIONS (mm)			CODE	JOINT HOLE POS. (mm)		CARTON CONTENT			CARTONS PER PALLET	MATERIAL NEEDED PER m ² CEILING	
	L	H	B		X	Y	Pieces N.	m	Kg		Module 625x625	Module 1250x625
MAIN RUNNER	3750	38	35	M35383750B	78.13	156.20	12	45.00	17.8	24	0.83	0.83
CROSS TEE	1250			C35381250B	312.50	-	40	50.00	17.5	48	1.67	1.67
CROSS TEE	625			C3538625B	312.50	-	40	25.00	8.8	48	0.83	-

MAXIMUM PERMISSIBLE PAYLOAD kg/m ²	Suspensions Distance (A)		(mm)	1000	1350	1400	1600	
	MODULE	Main runner distance 1250 mm (B)	625x625	18.5	14	9.5	-	
			1250x625	19	15	10	-	
		Main runner distance 625 mm (B)	625x625	30	30	22.5	22.5	
			1250x625	30	30	22.5	11	