

Gyptone® EDGE D2™ CONNECT GRID



Design and technique

Product description

Gyptone edge D2 is a pre-painted, acoustic suspended ceiling mounted in a concealed 24 mm grid system. The ceiling can be used for many applications like schools, offices and commercial settings. Gyptone edge D2 is a fully demountable ceiling. The product is subject to full recycling as raw material for new plaster boards.

Gyptone edge D2 is available with perforated and non-perforated surface. Thickness is 12.5 mm and the format is 600 x 600 mm.

Plenum height

Minimum plenum heights with Connect grid system, is 150 mm from tile to slab above the grid system.

Surfaces

The D2 tiles surface is painted from the factory. Each Gyptone D2 is painted with the color NCS0500, with a gloss value of 5-7 according to ISO 2813. Future treatment is to be executed with a shorthair roller as spray painting will impair the acoustic performance.

Grid system

Gyptone edge D2 is installed in Connect grid system from Ecophon. The system is suspended and needs the hangers and accessories suitable for the system. Gyptone edge D2 needs to be installed in accordance with this installation manual as well as the general specification of the project. Estimated consumption of grid system is to be found on page 7.

Fire resistance

A2-s1, d0.

Load

Gyptone edge D2 has a maximum point load of 1 kg for each tile, with a deflection of max. 2 mm. If installations with a higher load is required in an D2 ceiling, the installation should be fixed to the slab above with dedicated suspensions. Maximum load equally spread on the Main runner HD is 2 kg/m for the 24 mm Connect grid system. Maximum point load for the grid is 0kg.

Stability

Gyptone edge D2 is to be installed and used in rooms with relative humidity not exceeding permanently 70% or temperatures exceeding 45 degrees celcius.

Weight

Non perforated Gyptone D2 approx 9 kg/m²
Perforated Gyptone D2 approx 8 kg/m²

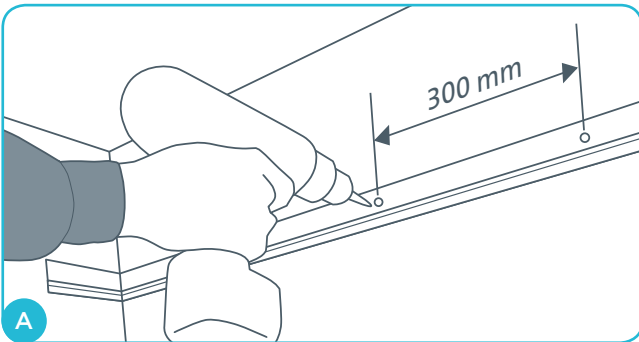
Cleaning and handling

Can be cleaned with a damp cloth. Do not use hard detergents. Always use gloves when installing Gyptone edge D2.

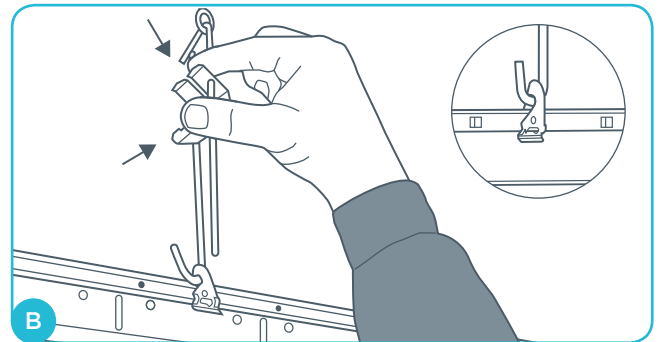
Maintenance

If damages on edges or surfaces occurs, the best solution is the replace the damaged D2 tile, with a new one.

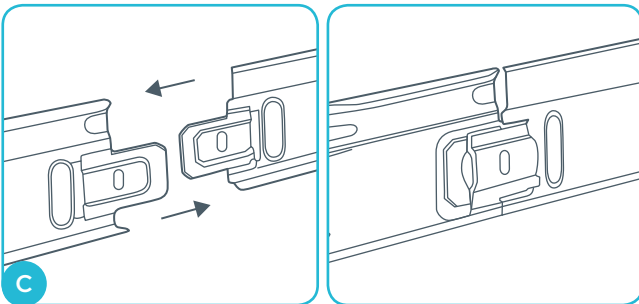
Installation of Ecophon Connect grid and Gyptone Edge D2 Prior to installation it is recommended to read the manual thoroughly.



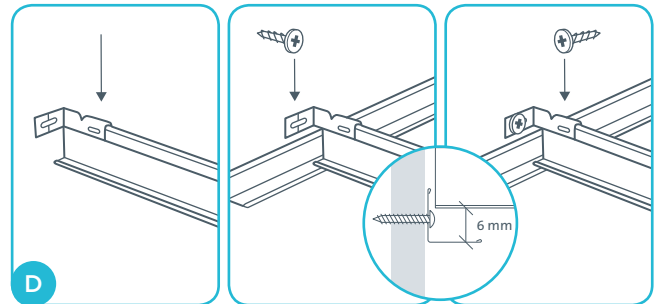
The placement of the wall angle should be marked with a bubble level/chalk line and mounted with a flat-headed screw suitable for the foundation per max. 300 mm, the first screw one no more than 50 mm from a corner. The wall angle should not be shorter than 300 mm. Cut the profiles in close mitre at the corner joint. If the foundation is uneven mount a thin wooden list behind the wall angle.



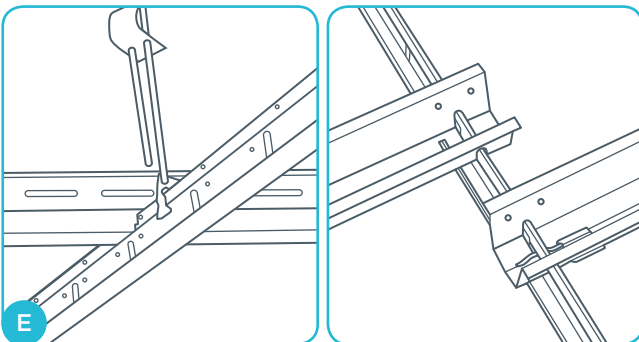
Hangers for the Main runner HD should be placed in rows per 1200 mm. The first Main runner max. 600 mm from the wall. First hanger in Main runner max. 300 mm. from the wall. The other hangers per max. 1200 mm. See page 4. The hangers should be adjusted, so the Main runner is elevated 6 mm above the wall angle. How to plan out the grid system, look at page 5.



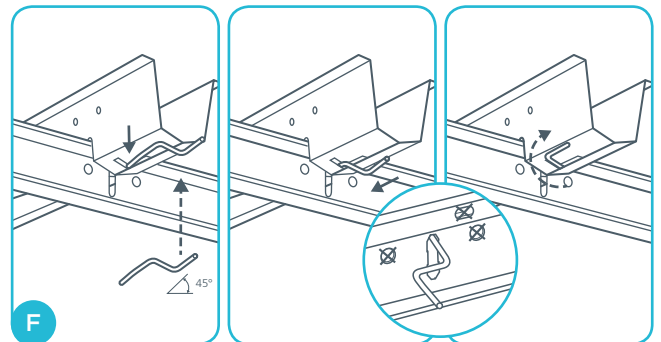
At the longitudinal assembly of the Main runner HD the couplings should be pushed together until they click.



Each of the Main runners need to be connected to the wall, by using the Connect Wall bracket. The Main runner have to be 6 mm above the wall angle, before fixing the runners to the wall. Push the wall bracket down on top of the main beam. Then fix the wall bracket to the wall and the Main runner, with a screw.



Connect Space bar is placed on top of the Main runner, for stability. Distance between the Space bars is maximum 1200 mm and the first Space bar must not be more that 300 mm from the wall.



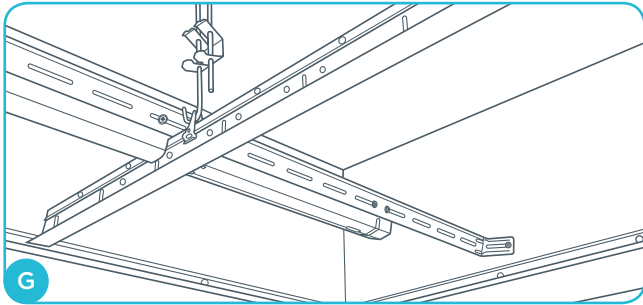
Connect Space bar is secured to the Main runners by using the Connect Space bar winch. The winch shall always be placed in the vertically cut out in the Main runner.

Gyptone® EDGE D2™

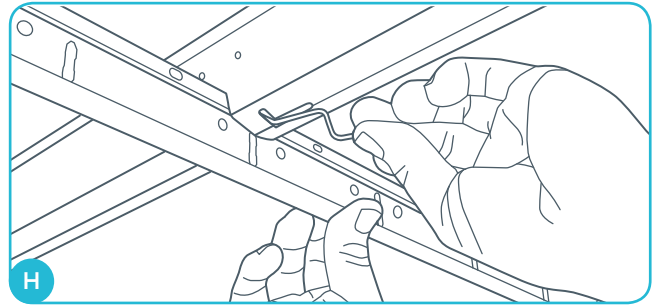
CONNECT GRID

Installation manual

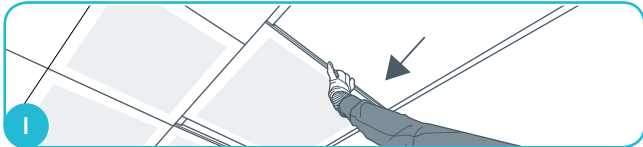
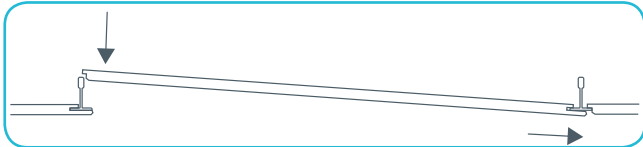
Installation of Ecophon Connect grid and Gyptone Edge D2 Prior to installation it is recommended to read the manual thoroughly.



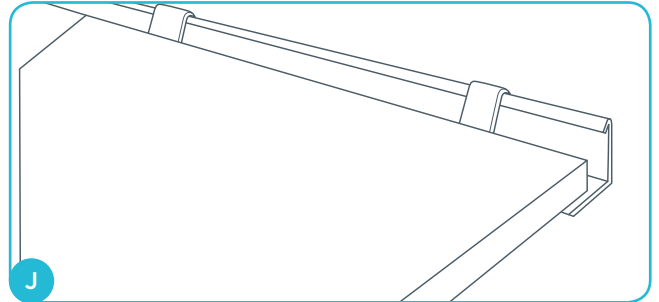
Connect Space bar is secured to the walls by using a Connect Wall bracket for Space bar. Each Space bar needs to be connected to the wall, but only in one end of the Space bar.



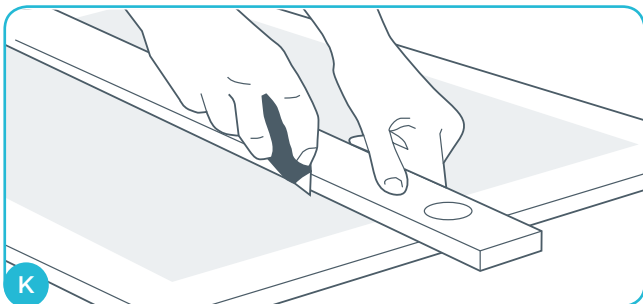
Connect Main runner HD is attached to the Space bars in the gaps between the already installed Main runner. So the final result is that there is 600 mm between all the Main runner. For connection between the Main runner and the Space bar, the Connect Space bar winch is used.



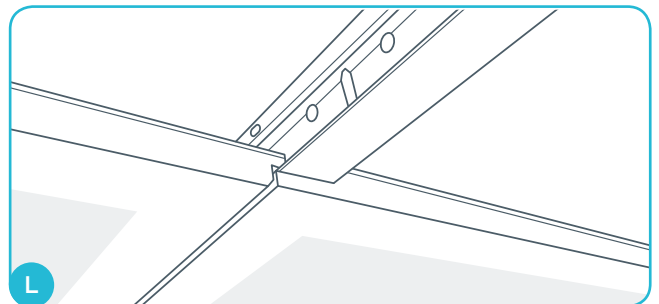
When installing the Gyptone edge D2, use cotton gloves. Lift one side of the tile, the E edge, up above the Main runner. Then slide the opposite side of the tile, the D2 edge, into the opposite Main runner. When the tile is mounted in the grid system, it can be slide into place. Be careful not to damage the tiles during installation. All installations should be finished before mounting the D2 tiles. Always start in the center of the room, when laying the tiles into the grid system.



When mounting the last tile against the wall, place 2 wall springs for each tile. The short side of the spring is squeezed down between the wall angle and the wall. The wall springs is installed before the last tiles are laid into the grid system.



The last tile against the wall, should be cut into size with either a saw or a knife. It is important to protect the front side of the tile, to avoid any damage to the painted surface. The tiles should not be cut with an undersized of more than max. 6 mm.



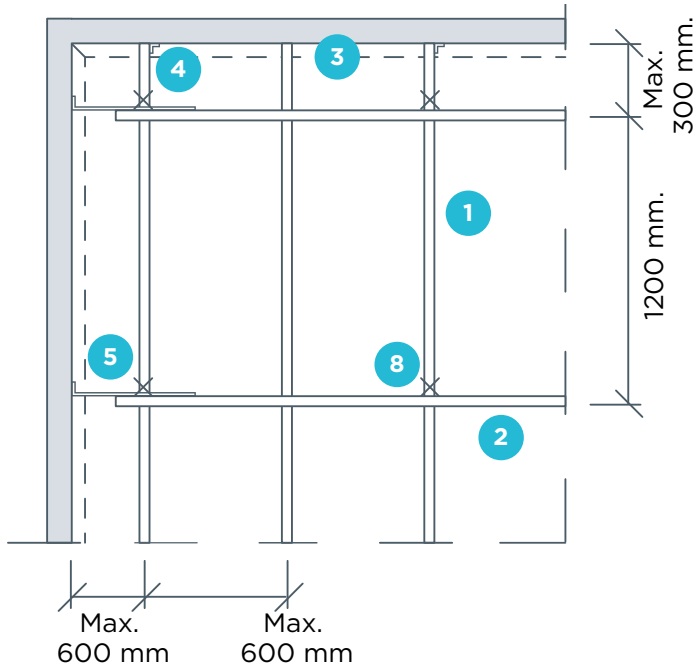
Gyptone edge D2 installed in concealed connect 24 mm grid system.

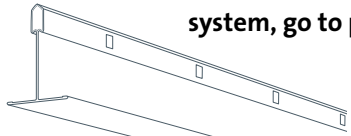
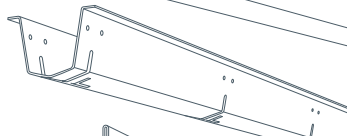
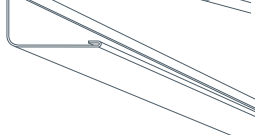
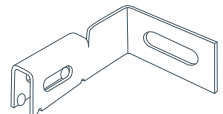
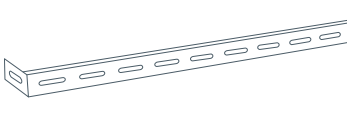


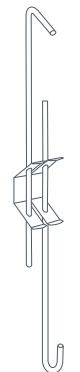

Gyptone® EDGE D2™

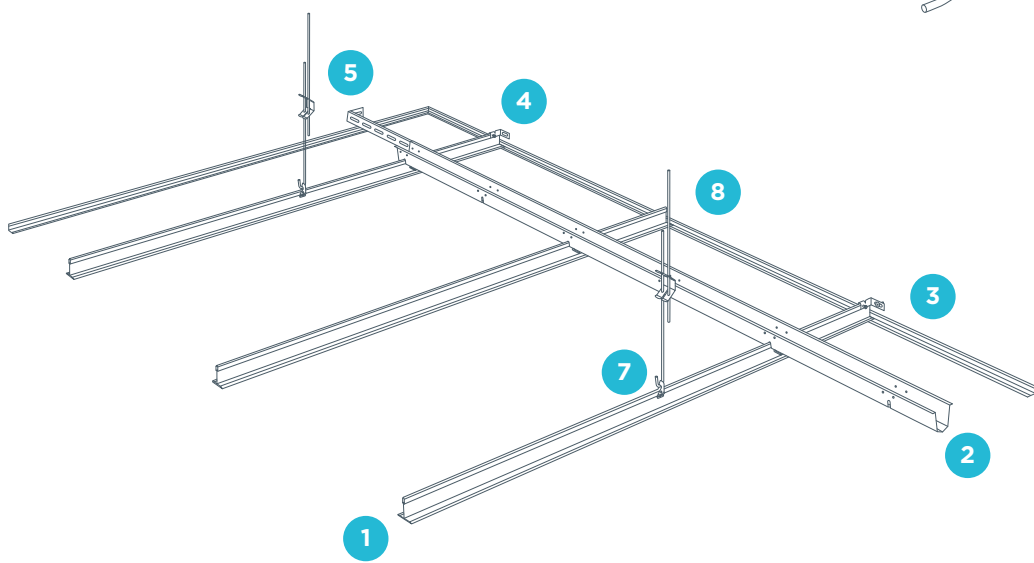
CONNECT GRID

Installation manual




For estimated consumption of the grid system, go to page 7

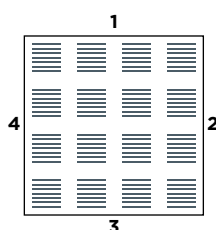


- 
- 
- 
- 
- 
- 
- 
- 
- 

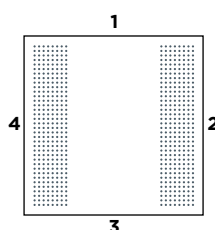


Location of edge D2 on tiles, affected by the direction of the pattern

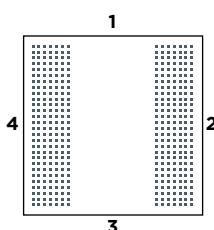
Edge location on tiles		
	B	1+3
	E	2
	D2	4



Line 4



Point 12

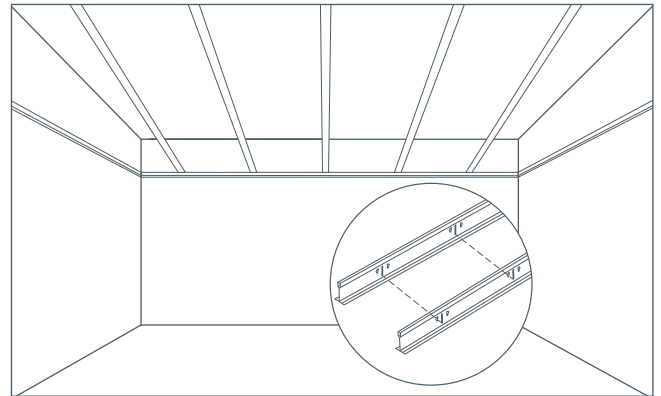
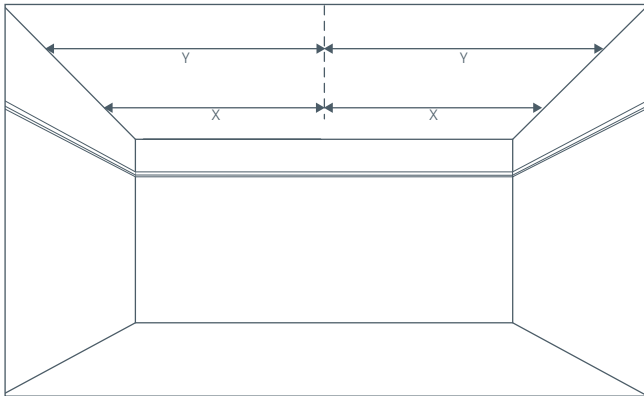


Quattro 22

All of the Gyptone perforations comes with edge D2, but only the 3 patterns shown above, is affected by the direction

Planning and execution of grid and tile installation

Prior to installation it is recommended to read the manual thoroughly.



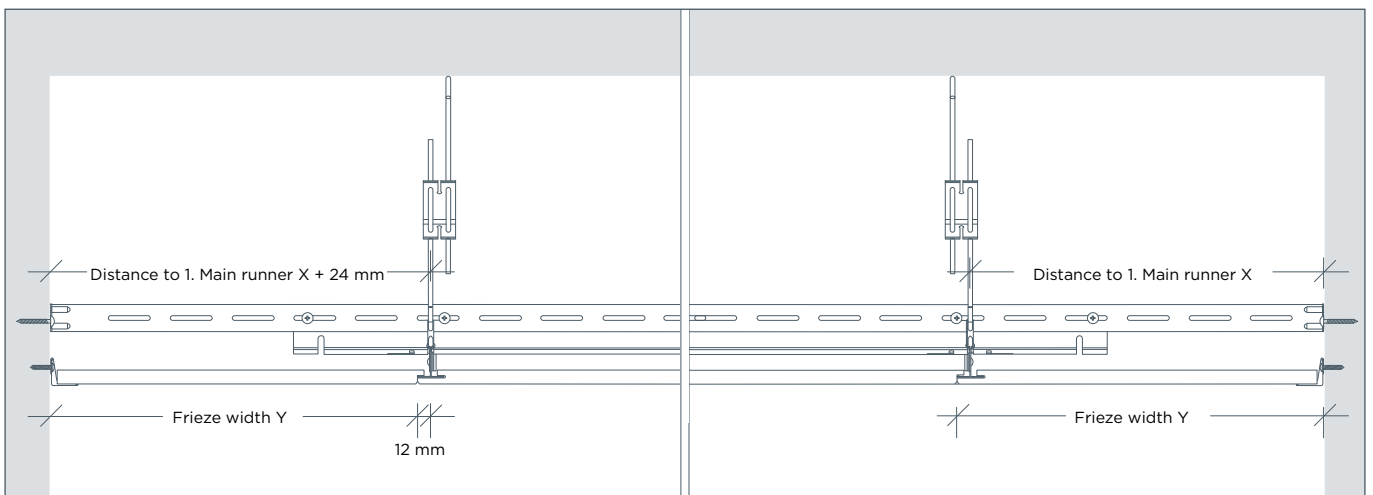
Z = Max 600 mm

Ceiling planning main runners.

Find the dimensions and the center of the room. Then plan out where to place the Main runners, relative to the center of the room.

Place the main runners with a center distance of 1200 mm out towards the walls.

When cutting the Main runner, be aware of where the runner is divided relative to the cutouts in the beam. These cutouts need to be in correct distance to the walls, to achieve the decided size of the frieze. See illustration below.



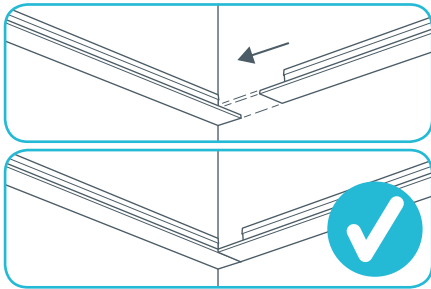
Ceiling planning Frieze.

Measure the room and plan out the size of the frieze (distance Y). To achieve the same frieze size in the perimeters opposite of each other in a room.

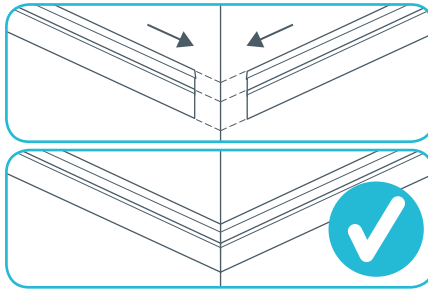
It is important to know that the ceiling tiles are not centered in relation to the grid system. So to get the same frieze size in the room, the Main runner needs to be moved 24 mm to one side, relative to the center of the room.

Good advice

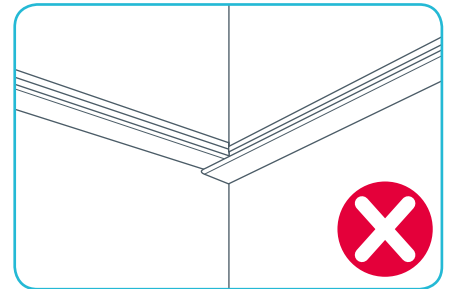
Corners with wall angle



Butt joint

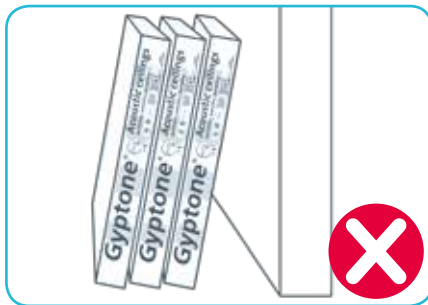
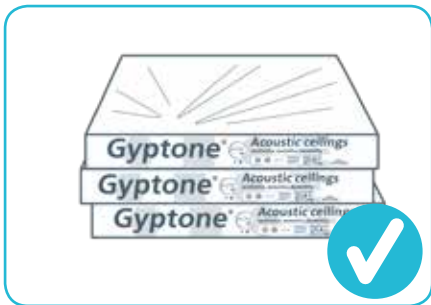


Mitre joint



Overlap joint

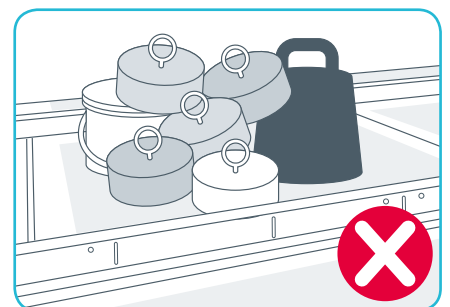
How to handle the tile box on site



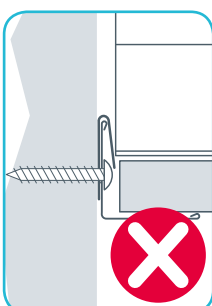
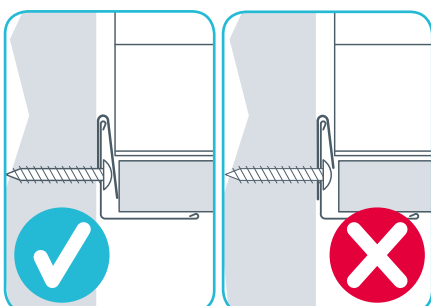
How to open a box without damaging the tiles



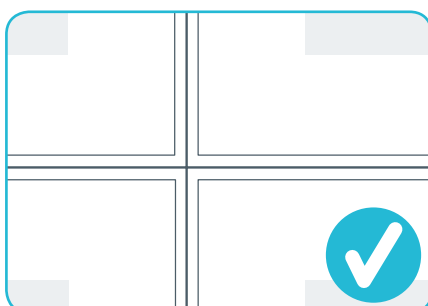
Max load pr. tile 1 kilo



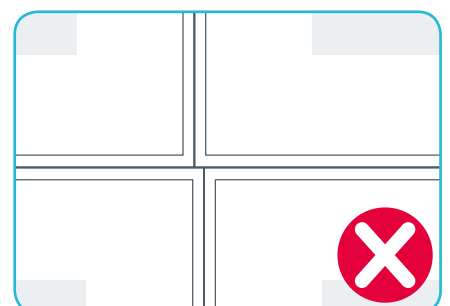
Placing the wall springs



Result with wall springs



Result without wall springs



Gyptone® EDGE D2™

CONNECT GRID

Installation manual

Checklist for mounting of Connect grid system and Gyptone edge D2 ceiling tiles. Prior to installation it is recommended to read the manual thoroughly.

- Humidity in the room should not exceed 70% during installation or usage.
- Connect Main runner HD are placed with a cc distance of 600 mm and spacerbars with a cc distance of 1200 mm.
- Gyptone edge D2 tiles have a max load capacity of 1 kg
- Fix wall angles to the wall with a max of 300 mm distance between the screws.
- Main runners should be held 6 mm above the wall angle.
- Hangers should be at every 1200 mm. First hanger should be max. 300 mm from the wall.
- Use 2 wall springs per tile facing the wall.

Estimated consumption, suspended installation of grid system (10 x 10 m)

	Items	Producer	Lenght mm	CC mm	usage/m ³
1	Main runner HD	Ecophon	3700	600	1.7 m
2	Space bar	Ecophon	3450	1200	0.9 m
3	Wall angle	Ecophon	3000	-	measurement
4	Wall bracket	Ecophon	-	-	One for each row at suspended main beam
5	Wall bracket for Space bar	Ecophon	700	-	One for each row at suspended main beam
6	Space bar Winch	Ecophon	-	-	1.4 pcs.
7	Hanger Clip	Ecophon	-	1200 x 1200	0.7 pcs.
8	Ajustable Hanger	Ecophon	-	1200 x 1200	0.7 pcs.
8	Wall spring	Ecophon	-	-	3.3 pcs. pr. m. wall angle



SAINT-GOBAIN

Saint-Gobain Denmark A/S

Gyproc, Hareskovvej 12
4400 Kalundborg, Denmark
Tel. : +45 5957 0330
Fax: +45 5957 0331
e-mail: info@gyproc.dk
www.gyptone.com



ISO and OHSAS

Gyproc A/S has a quality management system, which is certified by BVQI Denmark A/A according to the demands in ISO 9001, 14001 and OHSAS 18001