

Gyptone® EDGE E™ CONNECT GRID

ACTIV
air

Design and technique

Product description

Gyptone edge E15 is pre-painted, removable, acoustic suspended ceiling mounted in an semi exposed grid system (T15). The visible width of the grid system is 15 mm. The ceiling can be used for many applications like schools, offices and commercial settings. Gyptone edge E15 is a fully demountable ceiling so the ceiling provides good opportunities for inspection in the cavity above the ceiling. The product is subject to full recycling as raw material for new plaster boards.

Gyptone edge E15 is available with perforated and non-perforated surface. Thickness is 10 mm and the format is 600 x 600 mm.

Plenum height

Minimum plenum heights with Connect grid system, is 110mm from tile to slab above the grid system.

Surfaces

The tiles surface is painted from the factory. Each Gyptone tile is painted with the colour NCS0500, with a gloss value of 5-9 according to ISO 2813. Future treatment is to be executed with a shorthair roller as spray painting will impair the acoustic performance.

Grid system

Gyptone edge E15 is installed in Connect grid system from Ecophon. The system is suspended and needs the hangers and accessories suitable for the system. Gyptone edge E15 needs to be installed in accordance with this installation manual as well as the general specification of the project. Estimated consumption of grid system is to be found on page 3.

Fire resistance

A2-s1, d0.

Loading

Gyptone edge E15 has a maximum point load of 3 kg for each tile, with a deflection of max. 2 mm. If installations with a higher load is required in an edge E ceiling, the installation should be fixed to the slab above with dedicated suspensions. Maximum load equally spread on the main runners is 5 kg/m for T-15 grid. Maximum point load for the grid is 3 kg.

Stability

Gyptone edge E15 is to be installed and used in rooms with relative humidity not exceeding permanently 70% or temperatures exceeding 45 degrees celcius.

Weight

Non perforated Gyptone edge E15 approx. 8 kg/m²
Perforated Gyptone edge E15 approx. 7 kg/m²

Cleaning

Can be cleaned with a damp cloth. Do not use detergents. Always use gloves when installing Gyptone edge E15.

Maintenance

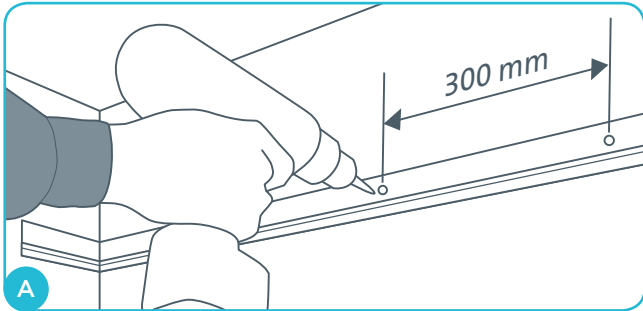
If damages on edges or surfaces occurs, the best solution is to replace the damaged tile, with a new tile.

Gyptone® EDGE E™ CONNECT GRID

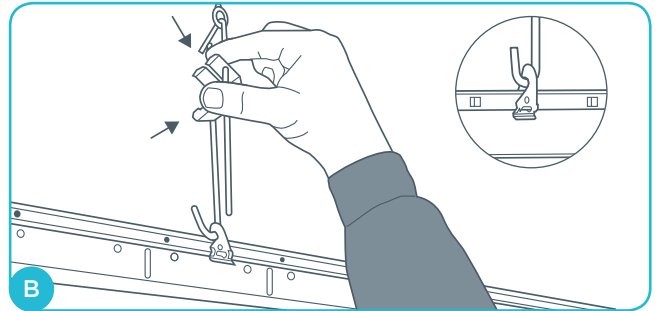
Installation manual

Installation of Connect grid system and Gyptone edge E15 ceiling tiles

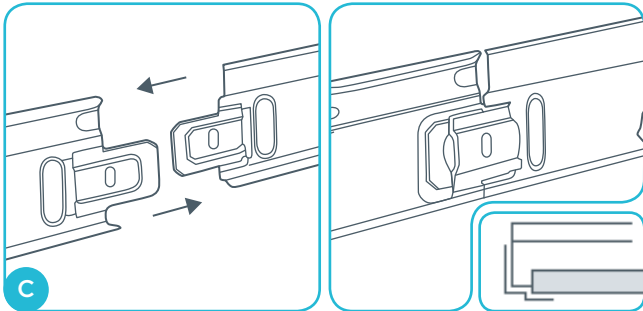
Prior to installation it is recommended to read the manual thoroughly.



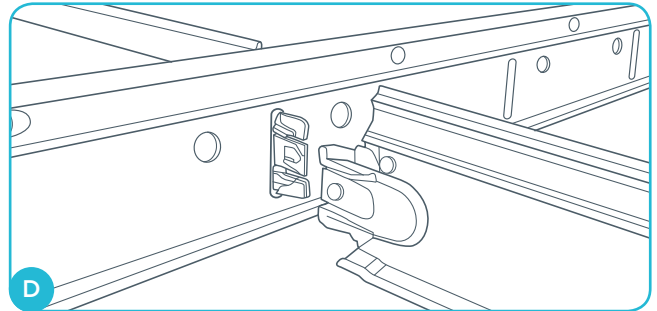
The placement of the wall angle is marked with a bubble level/chalk line and mounted with a flatheaded screw suitable for the walls per max. 300 mm, the first one no more than 50 mm from a corner. The shadow line trim should not be shorter than 300 mm. Cut the profiles in close mitre at the corner joint. If the walls is uneven mount a thin wooden list behind the shadow line trim.



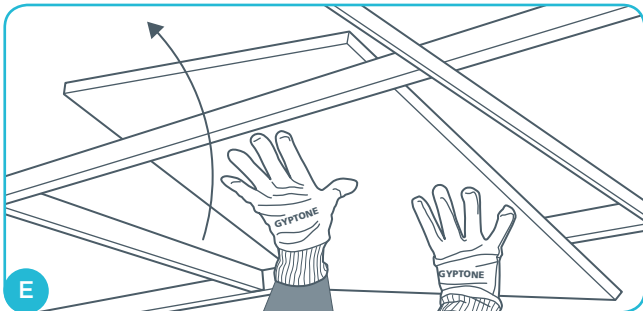
Hangers for the main runner are placed in rows per 1200 mm. The first main runner max. 600 mm from the wall. First hanger in main runner max. 400 mm from wall. The other hangers per max. 1200 mm. See the illustration on page 3.



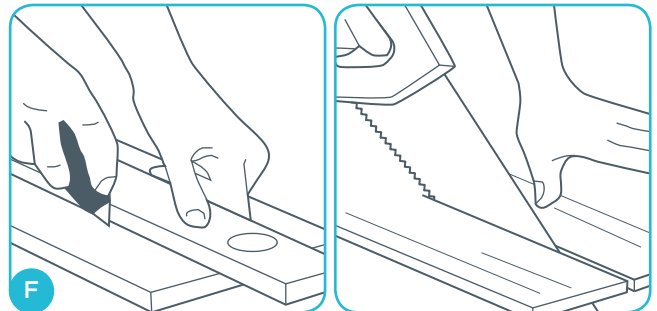
At the longitudinal assembly of the main runners the coupling should be pushed together until they click. Adjust the hangers so that all main runners are about the same height as top level of the shadow line trim; see the illustration at the bottom right hand side.



When mounting the cross tees always place the connection in the left side of the slot seen from the mounting side. The 1200 mm cross tees is mounted at each 600 mm and the 600 mm cross tees is placed between the 1200 mm cross tees to form a grid. See the illustration on page 3. The length of the cross tees closest to the wall is adjusted. The grid system is adjusted to the accurate height.



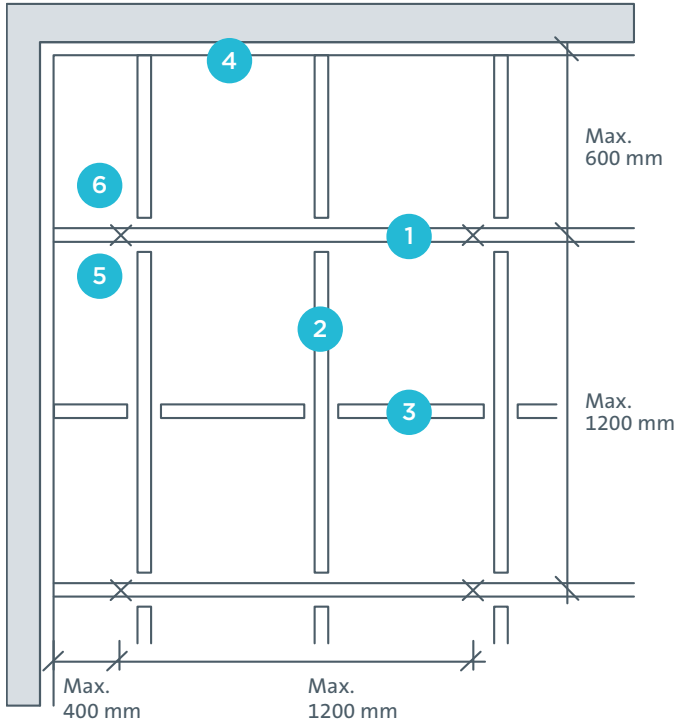
When installing the Gyptone tiles, use cotton gloves. Lift the tiles square through the grid system and lower it onto its place. Please note that all Gyptone tiles are directional (see the installation method inserted in the Gyptone package). All installations should be finished before mounting the tiles.



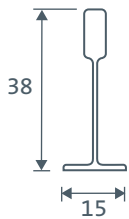
Adjusting the frieze tiles against the wall could be done with either a knife or a saw. When using a knife cut the front side cardboard first, then break the tile, and then cut through the backside cardboard. When using a saw, cut the tile from the frontside of the tile. The frieze tiles should not be cut with an undersize of more than max. 5 mm. To see different kinds of frieze solutions for edge E15, go to the www.gyptone.com website.

Gyptone® EDGE E™ CONNECT GRID

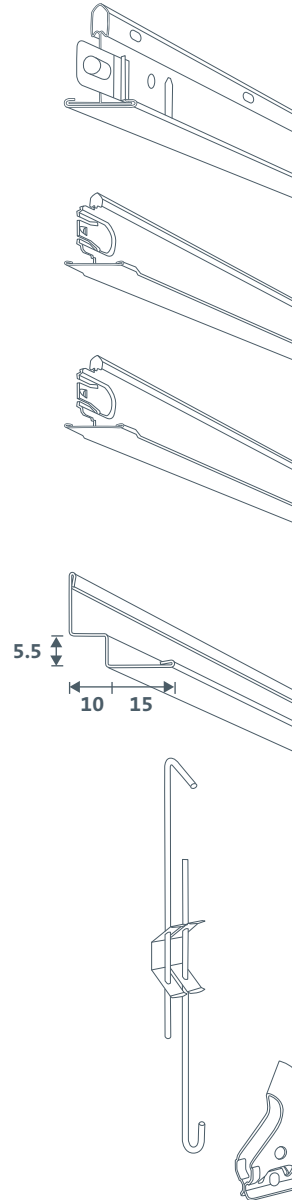
Installation manual



Grid system



Dimension on T-15 grid system



- 1 Connect T15 Main runner**
L: 3700 mm
- 2 Connect T15 Cross tee**
L: 1200 mm
- 3 Connect T15 Cross tee**
L: 600 mm
- 4 Connect Shadow-line trim**
L: 3000 mm
- 5 Connect Adjustable hanger**
For lengths between 120-2200 mm
- 6 Connect Hanger clip**

Estimated consumption suspended installation of grid system

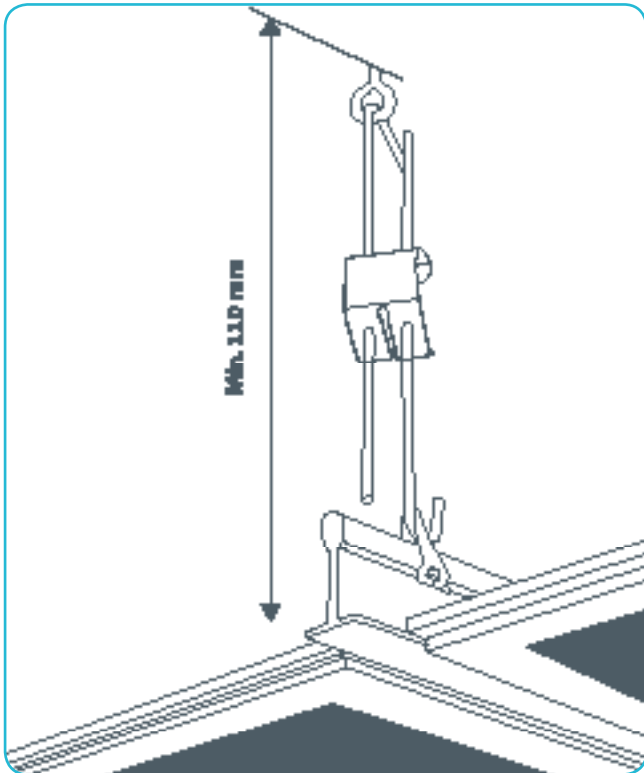
Item	Producer	Length mm	cc mm	Usage/m ² 600x600 mm	Usage/m ² 600x1200 mm
1 Main runner	Ecophon	3700	1200	0.9 m	0.9 m
2 Cross Tee	Ecophon	1200	600	1.7 m	1.7 m
3 Cross Tee	Ecophon	600	1200	0.9 m	-
4 Shadow line trim	Ecophon	3000	-	Measurement	Measurement
5 Ajustable Hanger	Ecophon	-	1200	-	-
6 Hanger Clip	Ecophon	-	1200	0.7 pcs.	0.7 pcs.

Gyptone® EDGE E™ CONNECT GRID

Installation manual

Gyptone edge E, suspension of grid system.

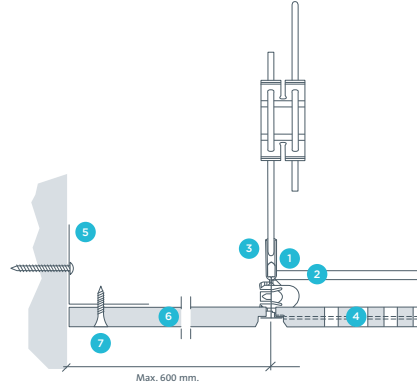
To ensure an easy-going mounting of the tiles in the gridsystem, the distance between the lower surface of the grids and the above element of building should be min. 110 mm.



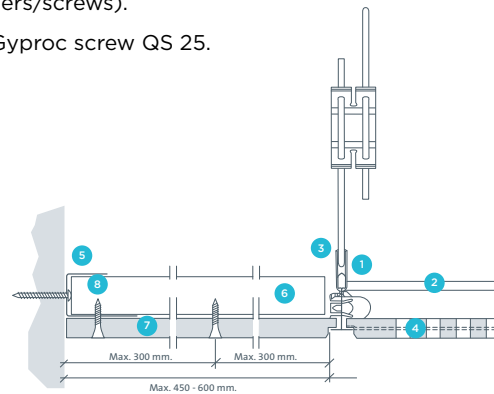
T-grid system with adjustable hangers

The height is measured without any Gyptone tiles and without attachment to the slab above the ceiling. The distance is from the top of the hanger, to the bottom of the tile.

Gyptone edge E, frieze solutions.



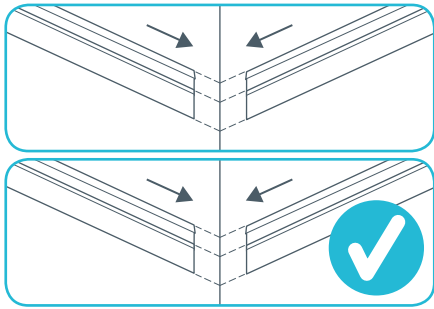
- 1 Connect Main runner T section 15 mm, cc distance 1200 mm.
- 2 Connect Cross T section 15 mm, length 1200 mm, cc distance 600 mm.
- 3 Connect adjustable hanger and hanger clip, cc distance 1200 mm.
- 4 Gyptone plasterboard with edge E. (perforated / non perforated).
- 5 Steel angle H 50/50, attached to wall at 400 mm, with screw with pan-head.
- 6 12.5 mm adapted frieze of FP-13E (edge E15 from factory). (Joining supports with steel base plate and llers/screws).
- 7 Gyproc screw QS 25.



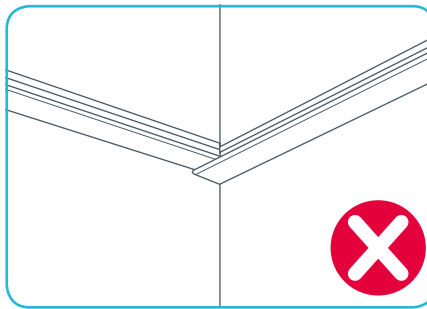
- 1 Connect Main runner T section 15 mm, cc distance 1200 mm.
- 2 Connect Cross T section 15 mm, length 1200 mm, cc distance 600 mm.
- 3 Connect adjustable hanger and hanger clip, cc distance 1200 mm.
- 4 Gyptone plasterboard with edge E. (perforated / non perforated).
- 5 Perimeter channel GK-C, attached to wall at 400 mm.
- 6 Adapted main channel GK 1, cc distance max. 400 mm.
- 7 12.5 mm adapted frieze of FP-13E (edge E15 from factory). (Joining supports with steel base plate and llers/screws).
- 8 Gyproc screw QS 25, placed with c/c distance 300 mm.

Good advice

Corners with shadow - Line trim

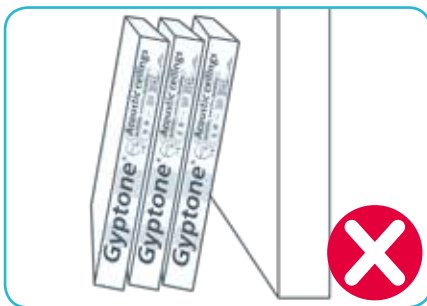
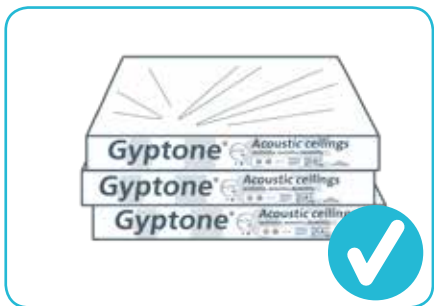


Mitre joint



Butt joint

How to handle a box of tiles on the site



How to open a box, without damaging the tiles



Check list for installing Connect grid system and Gyptone edge E tiles.

Prior to installation it is recommended to read the manual thoroughly.

- Humidity in the room should not exceed 70% during installation or usage.
- Only usage of Connect profiles as grid system.
- Fix shadow-line trim to wall, with a maximum of 300 mm between the screws.
- For the best connection between the shadow-line trim in the corners, make a mitre joint.
- Survey the room and position the hangers according to this manual and the general specification of the project.
- Adjust the entire grid system into level. Recommended to use a laser.
- It is recommended to use a perforated tile as frieze for better acoustic absorption (except Line 4)
- For more frieze solutions visit our webside www.gyptone.com.
- Always use clean gloves when installing Gyptone tiles.
- Make sure to install the tiles in the right direction (direction line on the backside of the tiles), to avoid a possible colour difference between the tiles when they are installed.



Saint-Gobain Denmark A/S

Gyproc, Hareskovvej 12
4400 Kalundborg, Denmark
Tel. : +45 5957 0330
Fax: +45 5957 0331
e-mail: info@gyproc.dk
www.gyptone.com



ISO and OHSAS

Gyproc A/S has a quality management system, which is certified by BVQI Denmark A/A according to the demands in ISO 9001, 14001 and OHSAS 18001