

Different facings possible

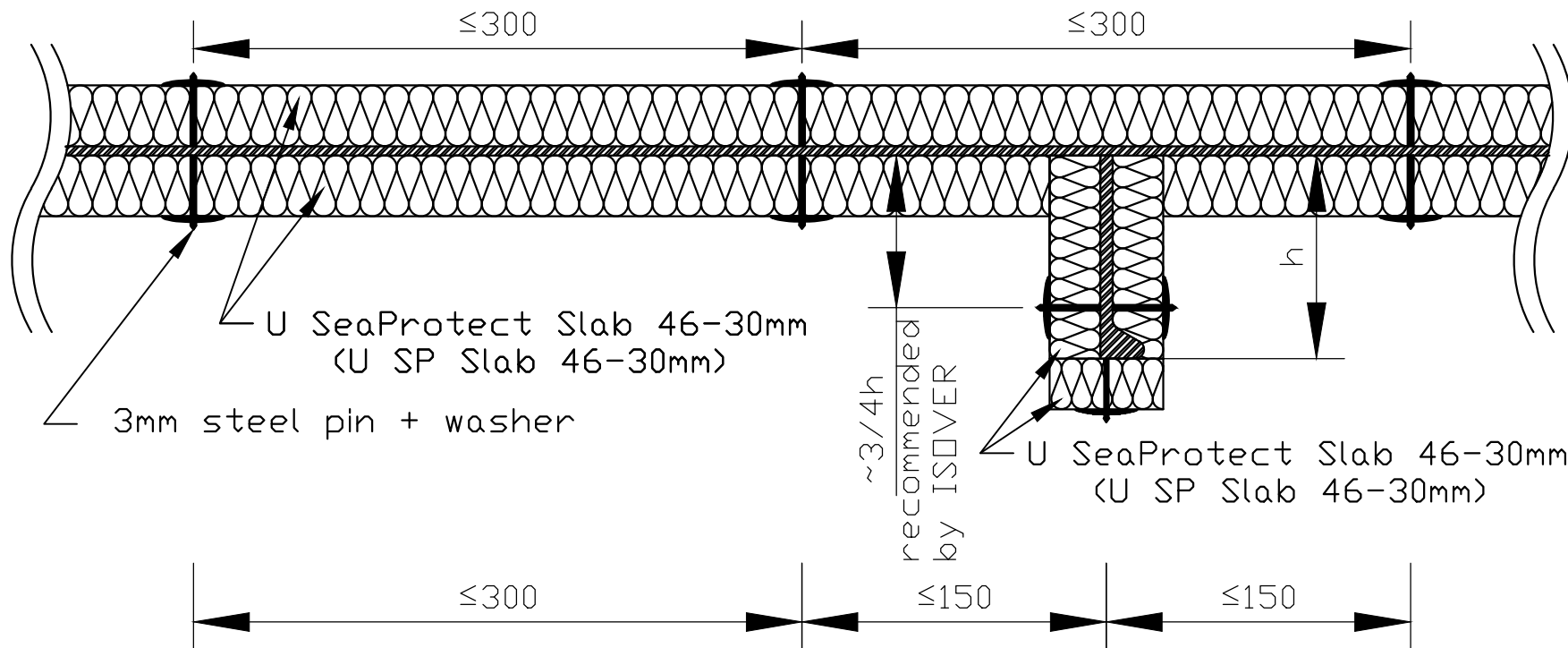
Plate insulation = 30 mm	Stiffener insulation = 30 mm
U SeaProtect Slab 46 Alu1	U SeaProtect Slab 46 Alu1
U SeaProtect Slab 46 G120	U SeaProtect Slab 46 G120
U SeaProtect Slab 46 G220	U SeaProtect Slab 46 G220
U SeaProtect Slab 46 G420	U SeaProtect Slab 46 G420
U SeaProtect Slab 46 B-Al	U SeaProtect Slab 46 B-Al
U SeaProtect Slab 46 B-Gl	U SeaProtect Slab 46 B-Gl



A60 Steel Bulkhead - Double Sided Application
 ULTIMATE - U SeaProtect - Double Sided design
 Plate: 46 - 30 mm / Stiffener: 46 - 30 mm
 Reference: MED-B-9334

Drawing number: AK2315
 Page: 1
 Version: Rev 1
 Date: 01.09.2015

The drawing is to be considered as guidance material only. We recommend that you carefully check its suitability for your intended use. Any recommendation for installation or technical guidance in general given by ISOVER Marine & Offshore is purely advisory, based on the best of our knowledge at the time as a product manufacturer. No liability can be derived therefrom. ISOVER Marine & Offshore reserves the right to change its technical specifications at any time it deems appropriate. For more information, please check our website: www.isover-technical-insulation.com.



Different facings possible

Plate insulation = 30 mm	Stiffener insulation = 30 mm
U SeaProtect Slab 46 Alu1	U SeaProtect Slab 46 Alu1
U SeaProtect Slab 46 G120	U SeaProtect Slab 46 G120
U SeaProtect Slab 46 G220	U SeaProtect Slab 46 G220
U SeaProtect Slab 46 G420	U SeaProtect Slab 46 G420
U SeaProtect Slab 46 B-Al	U SeaProtect Slab 46 B-Al
U SeaProtect Slab 46 B-Gl	U SeaProtect Slab 46 B-Gl



A60 Steel Bulkhead - Double Sided Application
 ULTIMATE - U SeaProtect - Double Sided design
 Plate: 46 - 30 mm / Stiffener: 46 - 30 mm
 Reference: MED-B-9334

Drawing number: AK2315
 Page: 2
 Version: Rev 1
 Date: 01.09.2015