

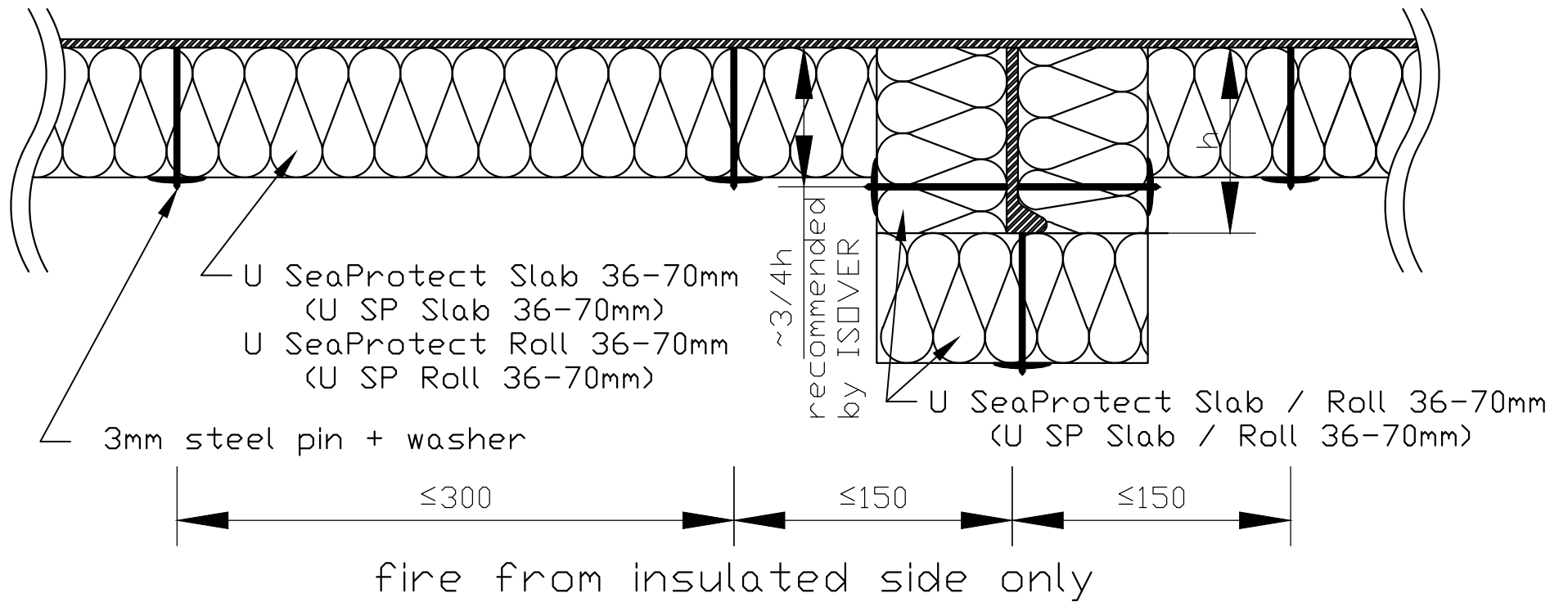
Different facings possible

Plate insulation = 70 mm	Stiffener insulation = 70 mm
U SeaProtect Slab / Roll 36 Alu1	U SeaProtect Slab / Roll 36 Alu1
U SeaProtect Slab / Roll 36 G120	U SeaProtect Slab / Roll 36 G120
U SeaProtect Slab / Roll 36 G220	U SeaProtect Slab / Roll 36 G220
U SeaProtect Slab 36 G420	U SeaProtect Slab 36 G420
U SeaProtect Slab 36 B-Al	U SeaProtect Slab 36 B-Al
U SeaProtect Slab 36 B-Gl	U SeaProtect Slab 36 B-Gl



A60 Steel Bulkhead - Restricted Application
 ULTIMATE - U SeaProtect - Standard design
 Plate: 36 - 70 mm / Stiffener: 36 - 70 mm
 Reference: MED-B-9334

Drawing number: AK2317
 Page: 1
 Version: Rev 1
 Date: 01.09.2015



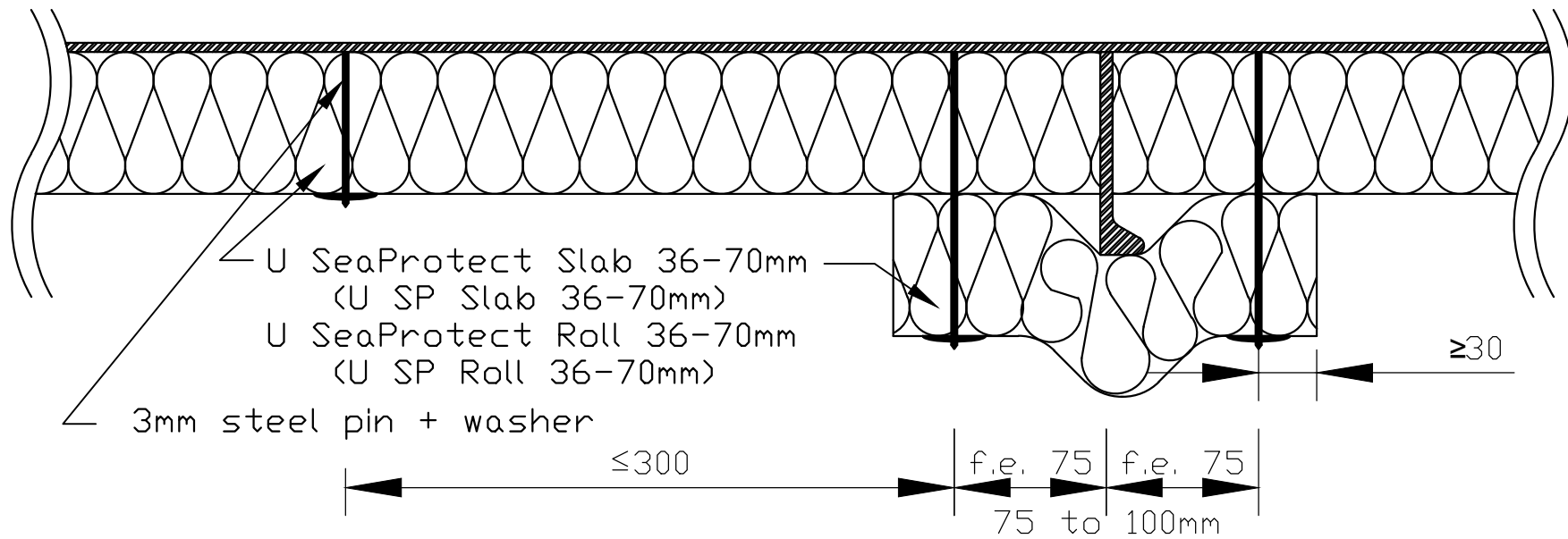
Different facings possible

Plate insulation = 70 mm	Stiffener insulation = 70 mm
U SeaProtect Slab / Roll 36 Alu1	U SeaProtect Slab / Roll 36 Alu1
U SeaProtect Slab / Roll 36 G120	U SeaProtect Slab / Roll 36 G120
U SeaProtect Slab / Roll 36 G220	U SeaProtect Slab / Roll 36 G220
U SeaProtect Slab 36 G420	U SeaProtect Slab 36 G420
U SeaProtect Slab 36 B-Al	U SeaProtect Slab 36 B-Al
U SeaProtect Slab 36 B-Gl	U SeaProtect Slab 36 B-Gl



A60 Steel Bulkhead - Restricted Application
 ULTIMATE - U SeaProtect - Standard design
 Plate: 36 - 70 mm / Stiffener: 36 - 70 mm
 Reference: MED-B-9334

Drawing number: AK2317
 Page: 2
 Version: Rev 1
 Date: 01.09.2015



U SeaProtect Slab 36-70mm
(U SP Slab 36-70mm)
U SeaProtect Roll 36-70mm
(U SP Roll 36-70mm)

3mm steel pin + washer

≤300

f.e. 75 | f.e. 75
75 to 100mm

≥30

recommended by ISOVER
≤150 according certificate

fire from insulated side only

Different facings possible

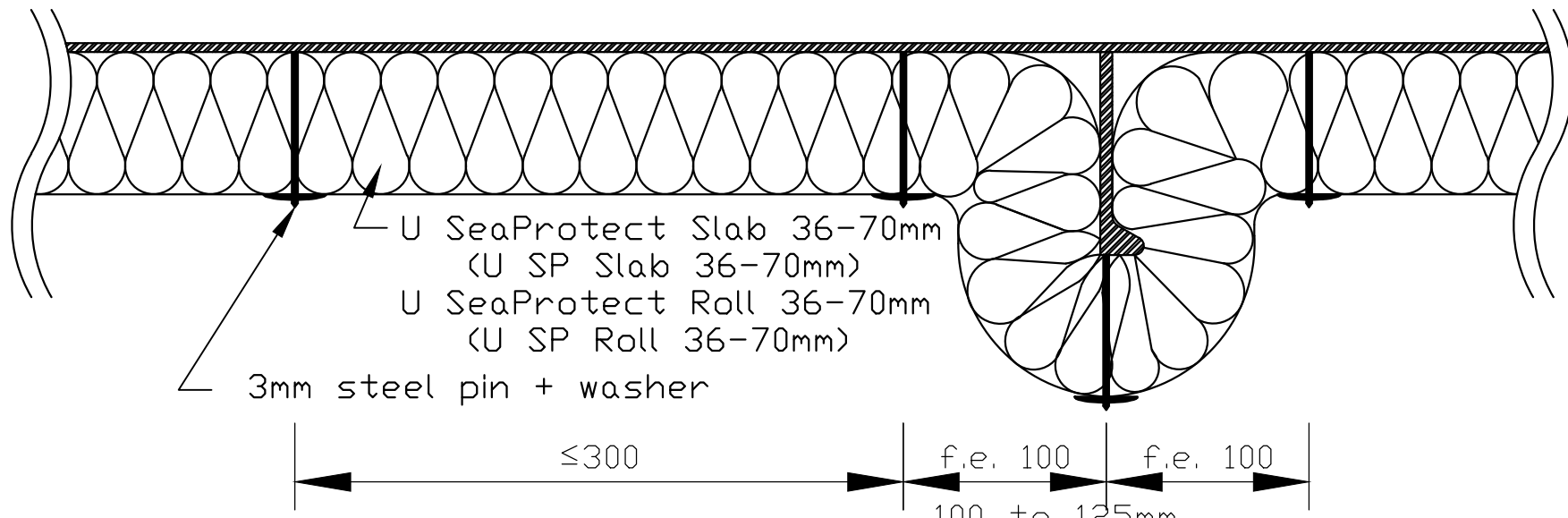
Plate insulation = 70 mm	Stiffener insulation = 70 mm
U SeaProtect Slab / Roll 36 Alu1	U SeaProtect Slab / Roll 36 Alu1
U SeaProtect Slab / Roll 36 G120	U SeaProtect Slab / Roll 36 G120
U SeaProtect Slab / Roll 36 G220	U SeaProtect Slab / Roll 36 G220
U SeaProtect Slab 36 G420	U SeaProtect Slab 36 G420
U SeaProtect Slab 36 B-Al	U SeaProtect Slab 36 B-Al
U SeaProtect Slab 36 B-Gl	U SeaProtect Slab 36 B-Gl



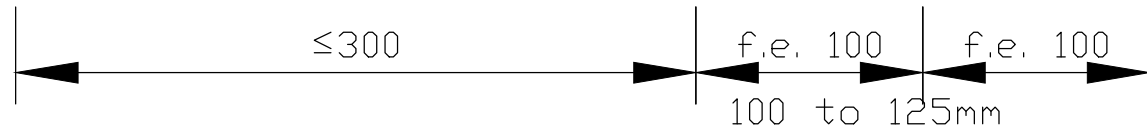
A60 Steel Bulkhead - Restricted Application
ULTIMATE - U SeaProtect - Standard design
Plate: 36 - 70 mm / Stiffener: 36 - 70 mm
Reference: MED-B-9334

Drawing number: AK2317
Page: 3
Version: Rev 1
Date: 01.09.2015

The drawing is to be considered as guidance material only. We recommend that you carefully check its suitability for your intended use. Any recommendation for installation or technical guidance in general given by ISOVER Marine & Offshore is purely advisory, based on the best of our knowledge at the time as a product manufacturer. No liability can be derived therefrom. ISOVER Marine & Offshore reserves the right to change its technical specifications at any time it deems appropriate. For more information, please check our website: www.isover-technical-insulation.com.



U SeaProtect Slab 36-70mm
 (U SP Slab 36-70mm)
 U SeaProtect Roll 36-70mm
 (U SP Roll 36-70mm)
 3mm steel pin + washer



recommended by ISOVER
 ≤150 according certificate

fire from insulated side only

Different facings possible

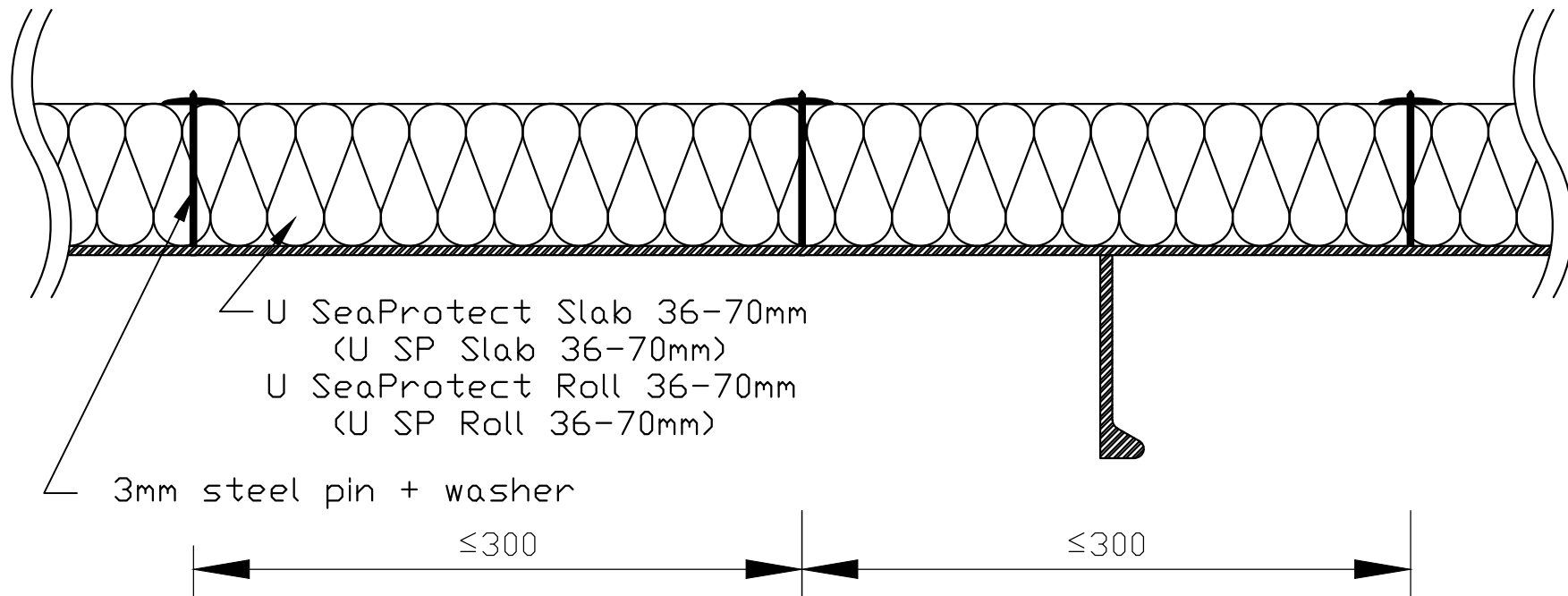
Plate insulation = 70 mm	Stiffener insulation = 70 mm
U SeaProtect Slab / Roll 36 Alu1	U SeaProtect Slab / Roll 36 Alu1
U SeaProtect Slab / Roll 36 G120	U SeaProtect Slab / Roll 36 G120
U SeaProtect Slab / Roll 36 G220	U SeaProtect Slab / Roll 36 G220
U SeaProtect Slab 36 G420	U SeaProtect Slab 36 G420
U SeaProtect Slab 36 B-Al	U SeaProtect Slab 36 B-Al
U SeaProtect Slab 36 B-Gl	U SeaProtect Slab 36 B-Gl



A60 Steel Bulkhead - Restricted Application
 ULTIMATE - U SeaProtect - Standard design
 Plate: 36 - 70 mm / Stiffener: 36 - 70 mm
 Reference: MED-B-9334

Drawing number: AK2317
 Page: 4
 Version: Rev 1
 Date: 01.09.2015

The drawing is to be considered as guidance material only. We recommend that you carefully check its suitability for your intended use. Any recommendation for installation or technical guidance in general given by ISOVER Marine & Offshore is purely advisory, based on the best of our knowledge at the time as a product manufacturer. No liability can be derived therefrom. ISOVER Marine & Offshore reserves the right to change its technical specifications at any time it deems appropriate. For more information, please check our website: www.isover-technical-insulation.com.



U SeaProtect Slab 36-70mm
 (U SP Slab 36-70mm)
 U SeaProtect Roll 36-70mm
 (U SP Roll 36-70mm)

3mm steel pin + washer

≤300

≤300

fire from insulated side only

Different facings possible

Plate insulation = 70 mm	No Stiffener insulation
U SeaProtect Slab / Roll 36 Alu1	
U SeaProtect Slab / Roll 36 G120	
U SeaProtect Slab / Roll 36 G220	
U SeaProtect Slab 36 G420	
U SeaProtect Slab 36 B-Al	
U SeaProtect Slab 36 B-Gl	



A60 Steel Bulkhead - Restricted Application
 ULTIMATE - U SeaProtect - Standard design
 Plate: 36 - 70 mm / Stiffener: 36 - 70 mm
 Reference: MED-B-9334

Drawing number: AK2317
 Page: 5
 Version: Rev 1
 Date: 01.09.2015

The drawing is to be considered as guidance material only. We recommend that you carefully check its suitability for your intended use. Any recommendation for installation or technical guidance in general given by ISOVER Marine & Offshore is purely advisory, based on the best of our knowledge at the time as a product manufacturer. No liability can be derived therefrom. ISOVER Marine & Offshore reserves the right to change its technical specifications at any time it deems appropriate. For more information, please check our website: www.isover-technical-insulation.com.