

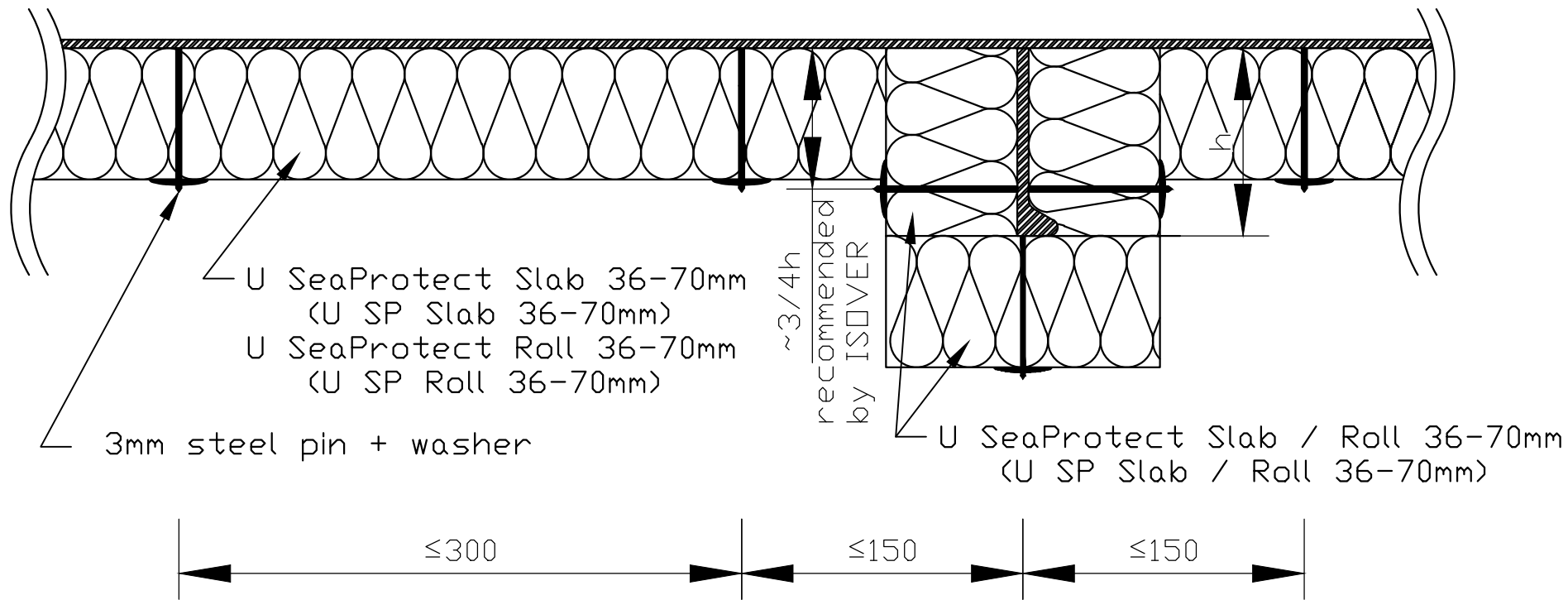
Different facings possible

Plate insulation = 70 mm	Stiffener insulation = 70 mm
U SeaProtect Slab / Roll 36 Alu1	U SeaProtect Slab / Roll 36 Alu1
U SeaProtect Slab / Roll 36 G120	U SeaProtect Slab / Roll 36 G120
U SeaProtect Slab / Roll 36 G220	U SeaProtect Slab / Roll 36 G220
U SeaProtect Slab 36 G420	U SeaProtect Slab 36 G420
U SeaProtect Slab 36 B-Al	U SeaProtect Slab 36 B-Al
U SeaProtect Slab 36 B-Gl	U SeaProtect Slab 36 B-Gl



A30 Steel Bulkhead - General Application  
 ULTIMATE - U SeaProtect - Standard design  
 Plate: 36 - 70 mm / Stiffener: 36 - 70 mm  
 Reference: MED-B-9333

Drawing number: AK2319  
 Page: 1  
 Version: Rev 1  
 Date: 01.09.2015



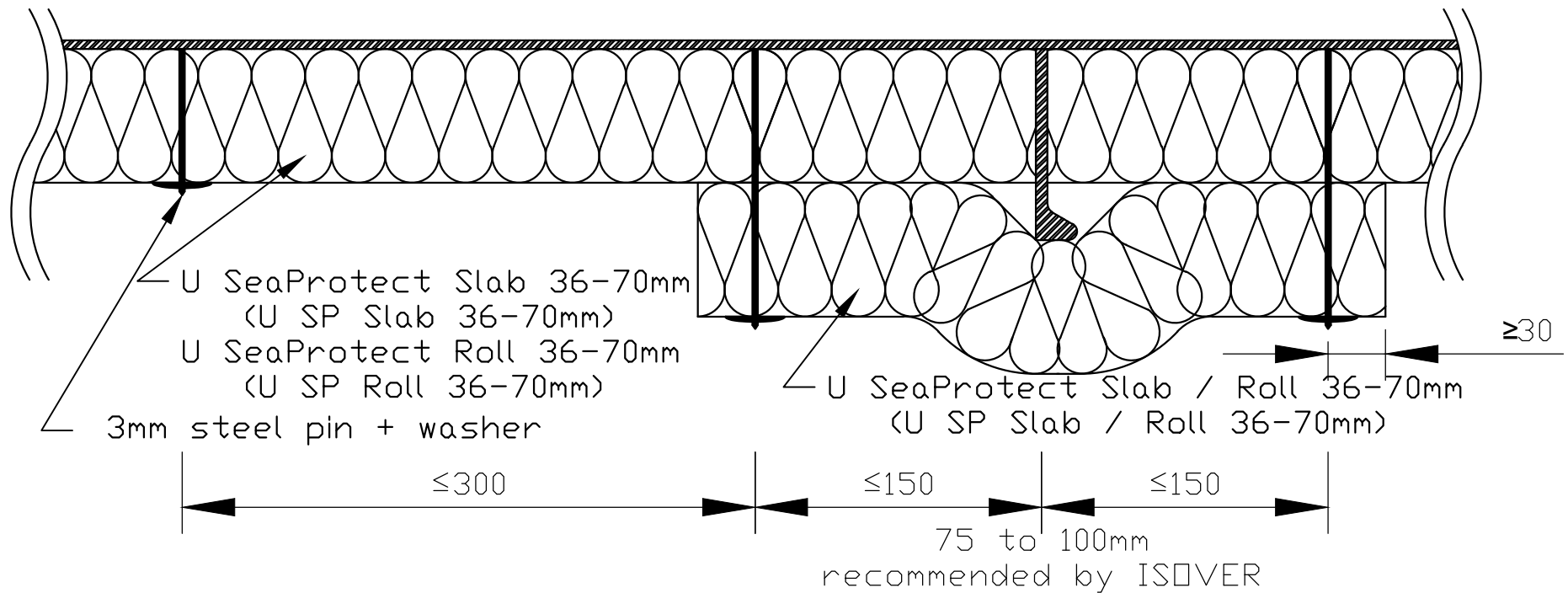
Different facings possible

Plate insulation = 70 mm	Stiffener insulation = 70 mm
U SeaProtect Slab / Roll 36 Alu1	U SeaProtect Slab / Roll 36 Alu1
U SeaProtect Slab / Roll 36 G120	U SeaProtect Slab / Roll 36 G120
U SeaProtect Slab / Roll 36 G220	U SeaProtect Slab / Roll 36 G220
U SeaProtect Slab 36 G420	U SeaProtect Slab 36 G420
U SeaProtect Slab 36 B-Al	U SeaProtect Slab 36 B-Al
U SeaProtect Slab 36 B-Gl	U SeaProtect Slab 36 B-Gl



A30 Steel Bulkhead - General Application  
 ULTIMATE - U SeaProtect - Standard design  
 Plate: 36 - 70 mm / Stiffener: 36 - 70 mm  
 Reference: MED-B-9333

Drawing number: AK2319  
 Page: 2  
 Version: Rev 1  
 Date: 01.09.2015



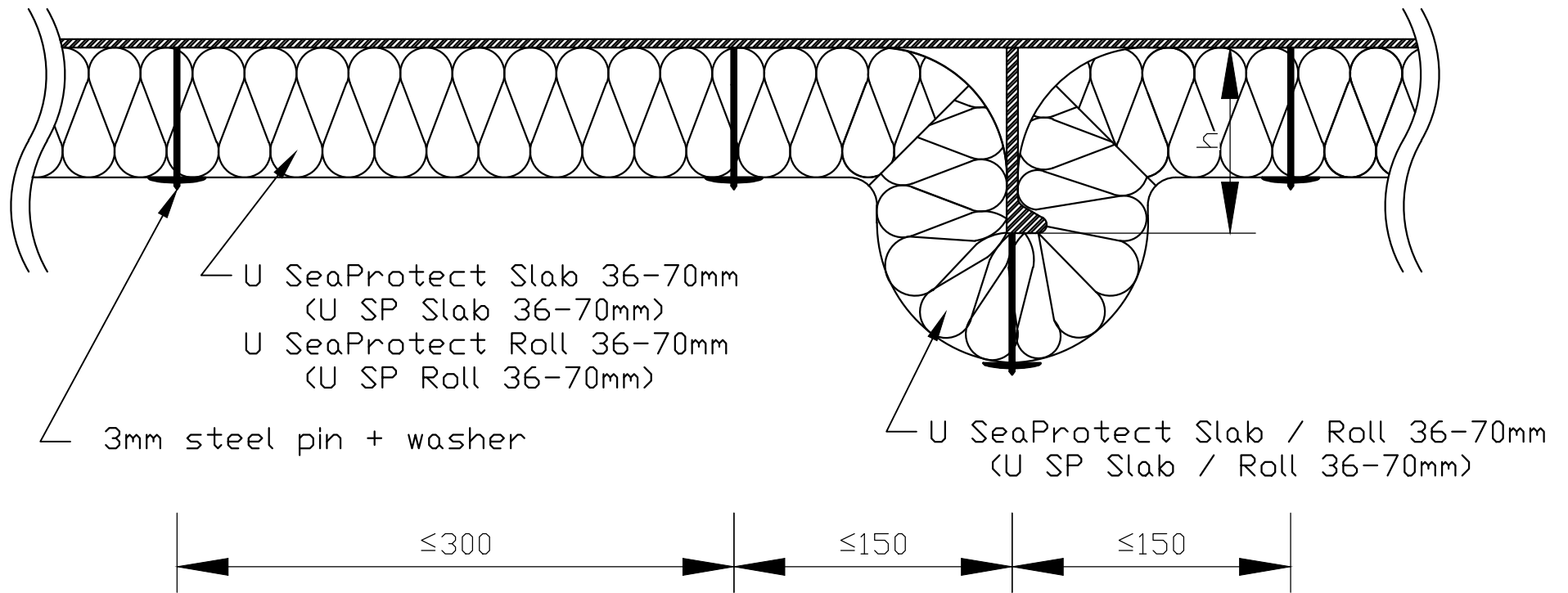
Different facings possible

Plate insulation = 70 mm	Stiffener insulation = 70 mm
U SeaProtect Slab / Roll 36 Alu1	U SeaProtect Slab / Roll 36 Alu1
U SeaProtect Slab / Roll 36 G120	U SeaProtect Slab / Roll 36 G120
U SeaProtect Slab / Roll 36 G220	U SeaProtect Slab / Roll 36 G220
U SeaProtect Slab 36 G420	U SeaProtect Slab 36 G420
U SeaProtect Slab 36 B-Al	U SeaProtect Slab 36 B-Al
U SeaProtect Slab 36 B-Gl	U SeaProtect Slab 36 B-Gl



A30 Steel Bulkhead - General Application  
 ULTIMATE - U SeaProtect - Standard design  
 Plate: 36 - 70 mm / Stiffener: 36 - 70 mm  
 Reference: MED-B-9333

Drawing number: AK2319  
 Page: 3  
 Version: Rev 1  
 Date: 01.09.2015



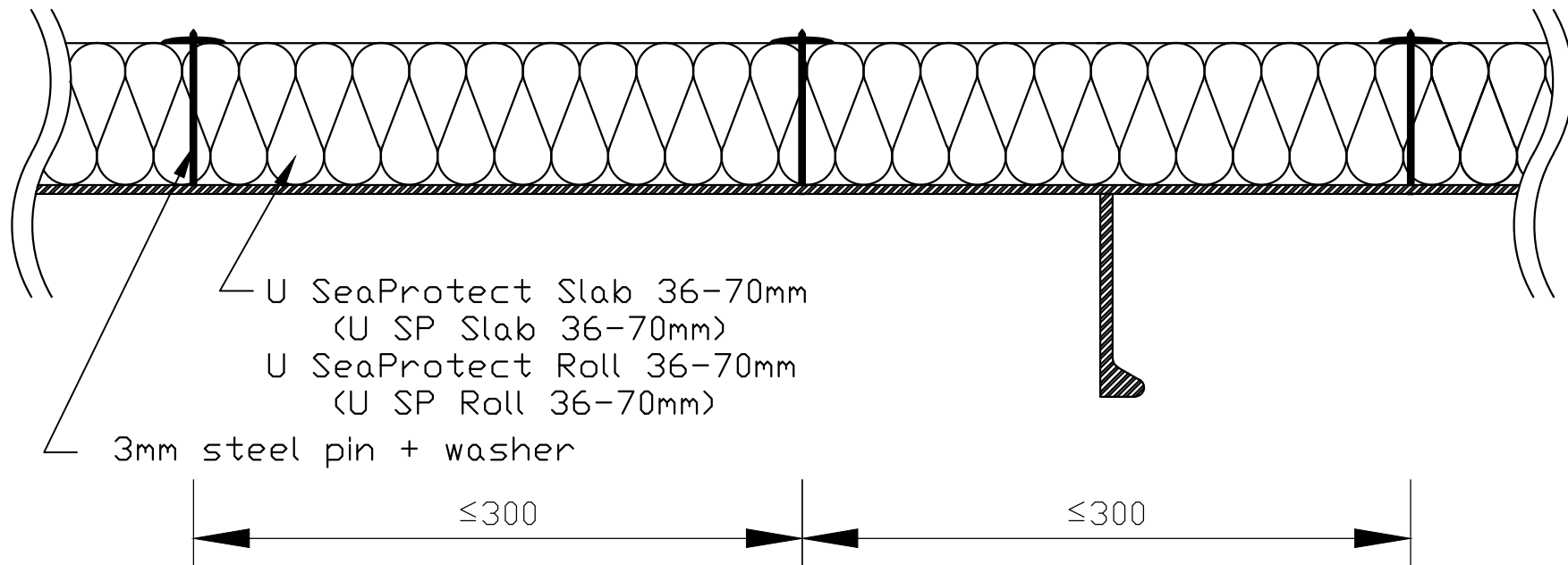
Different facings possible

Plate insulation = 70 mm	Stiffener insulation = 70 mm
U SeaProtect Slab / Roll 36 Alu1	U SeaProtect Slab / Roll 36 Alu1
U SeaProtect Slab / Roll 36 G120	U SeaProtect Slab / Roll 36 G120
U SeaProtect Slab / Roll 36 G220	U SeaProtect Slab / Roll 36 G220
U SeaProtect Slab 36 G420	U SeaProtect Slab 36 G420
U SeaProtect Slab 36 B-Al	U SeaProtect Slab 36 B-Al
U SeaProtect Slab 36 B-Gl	U SeaProtect Slab 36 B-Gl



A30 Steel Bulkhead - General Application  
 ULTIMATE - U SeaProtect - Standard design  
 Plate: 36 - 70 mm / Stiffener: 36 - 70 mm  
 Reference: MED-B-9333

Drawing number: AK2319  
 Page: 4  
 Version: Rev 1  
 Date: 01.09.2015



Different facings possible

Plate insulation = 70 mm	No Stiffener insulation
U SeaProtect Slab / Roll 36 Alu1	
U SeaProtect Slab / Roll 36 G120	
U SeaProtect Slab / Roll 36 G220	
U SeaProtect Slab 36 G420	
U SeaProtect Slab 36 B-Al	
U SeaProtect Slab 36 B-Gl	



A30 Steel Bulkhead - General Application  
 ULTIMATE - U SeaProtect - Standard design  
 Plate: 36 - 70 mm / Stiffener: 36 - 70 mm  
 Reference: MED-B-9333

Drawing number: AK2319  
 Page: 5  
 Version: Rev 1  
 Date: 01.09.2015