

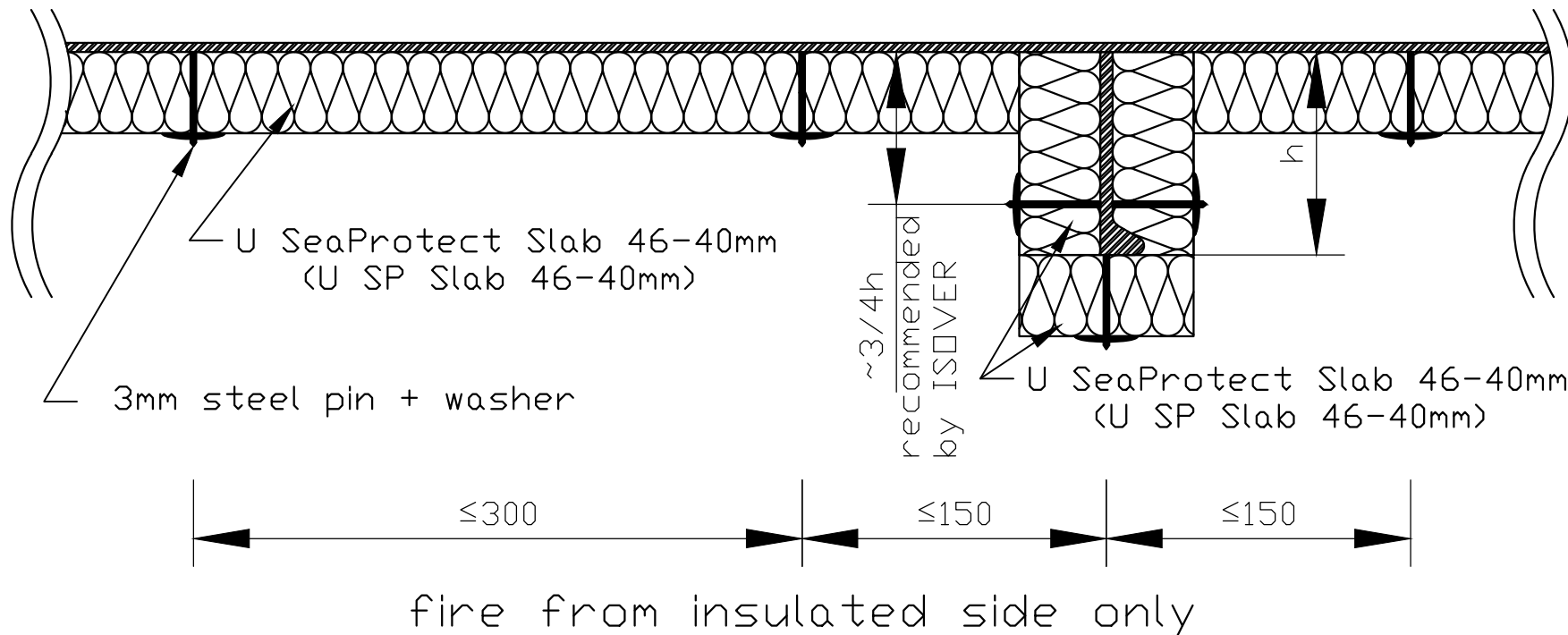
Different facings possible

Plate insulation = 40 mm	Stiffener insulation = 40 mm
U SeaProtect Slab 46 Alu1	U SeaProtect Slab 46 Alu1
U SeaProtect Slab 46 G120	U SeaProtect Slab 46 G120
U SeaProtect Slab 46 G220	U SeaProtect Slab 46 G220
U SeaProtect Slab 46 G420	U SeaProtect Slab 46 G420
U SeaProtect Slab 46 B-Al	U SeaProtect Slab 46 B-Al
U SeaProtect Slab 46 B-Gl	U SeaProtect Slab 46 B-Gl



A30 Steel Bulkhead - Restricted Application
 ULTIMATE - U SeaProtect - Thin design
 Plate: 46 - 40 mm / Stiffener: 46 - 40 mm
 Reference: MED-B-9333

Drawing number: AK2324
 Page: 1
 Version: Rev 1
 Date: 01.09.2015



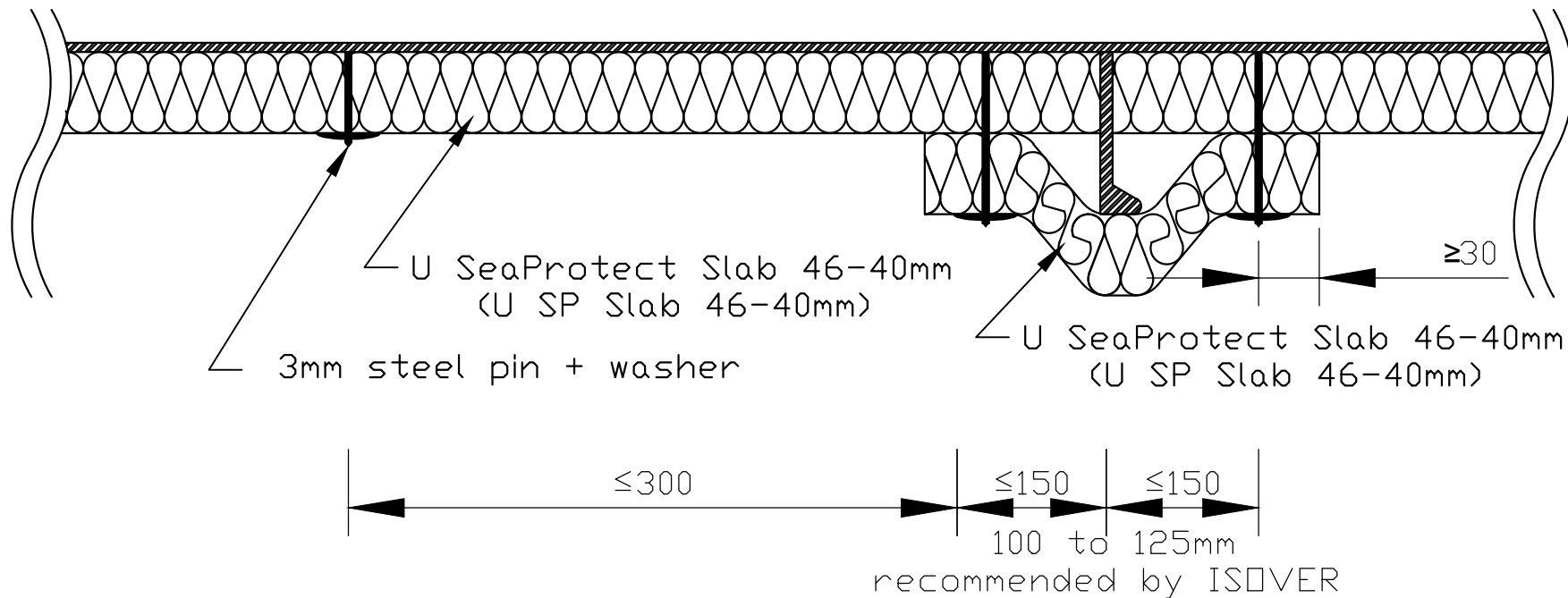
Different facings possible

Plate insulation = 40 mm	Stiffener insulation = 40 mm
U SeaProtect Slab 46 Alu1	U SeaProtect Slab 46 Alu1
U SeaProtect Slab 46 G120	U SeaProtect Slab 46 G120
U SeaProtect Slab 46 G220	U SeaProtect Slab 46 G220
U SeaProtect Slab 46 G420	U SeaProtect Slab 46 G420
U SeaProtect Slab 46 B-Al	U SeaProtect Slab 46 B-Al
U SeaProtect Slab 46 B-Gl	U SeaProtect Slab 46 B-Gl



A30 Steel Bulkhead - Restricted Application
 ULTIMATE - U SeaProtect - Thin design
 Plate: 46 - 40 mm / Stiffener: 46 - 40 mm
 Reference: MED-B-9333

Drawing number: AK2324
 Page: 2
 Version: Rev 1
 Date: 01.09.2015



fire from insulated side only

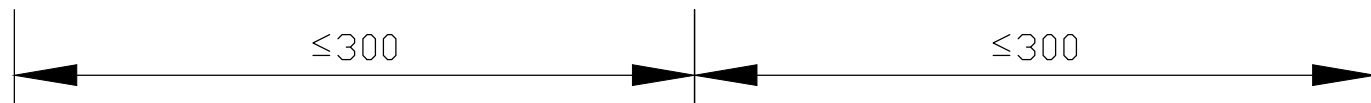
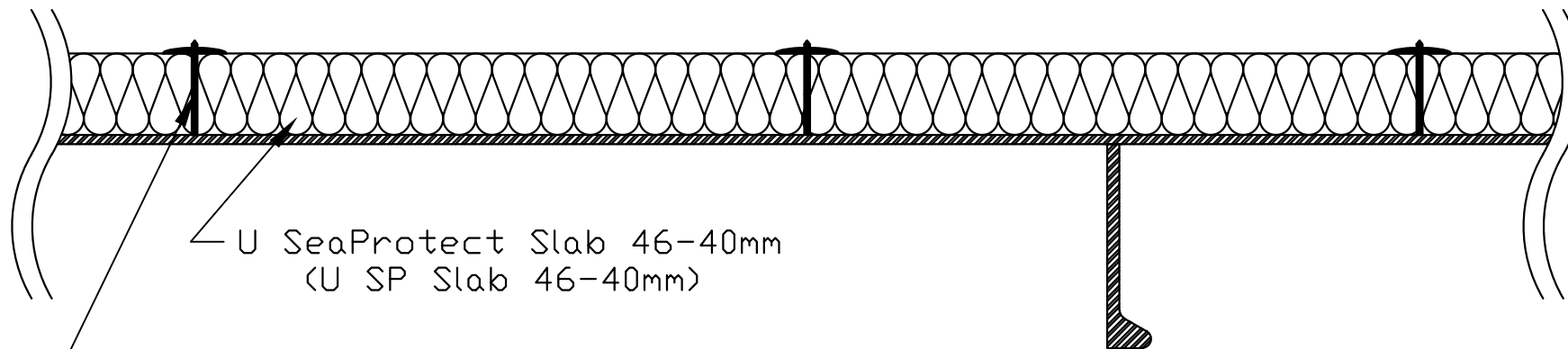
Different facings possible

Plate insulation = 40 mm	Stiffener insulation = 40 mm
U SeaProtect Slab 46 Alu1	U SeaProtect Slab 46 Alu1
U SeaProtect Slab 46 G120	U SeaProtect Slab 46 G120
U SeaProtect Slab 46 G220	U SeaProtect Slab 46 G220
U SeaProtect Slab 46 G420	U SeaProtect Slab 46 G420
U SeaProtect Slab 46 B-Al	U SeaProtect Slab 46 B-Al
U SeaProtect Slab 46 B-Gl	U SeaProtect Slab 46 B-Gl



A30 Steel Bulkhead - Restricted Application
 ULTIMATE - U SeaProtect - Thin design
 Plate: 46 - 40 mm / Stiffener: 46 - 40 mm
 Reference: MED-B-9333

Drawing number: AK2324
 Page: 3
 Version: Rev 1
 Date: 01.09.2015



fire from insulated side only

Different facings possible

Plate insulation = 40 mm	No Stiffener insulation
U SeaProtect Slab 46 Alu1	
U SeaProtect Slab 46 G120	
U SeaProtect Slab 46 G220	
U SeaProtect Slab 46 G420	
U SeaProtect Slab 46 B-Al	
U SeaProtect Slab 46 B-Gl	



A30 Steel Bulkhead - Restricted Application
 ULTIMATE - U SeaProtect - Thin design
 Plate: 46 - 40 mm / Stiffener: 46 - 40 mm
 Reference: MED-B-9333

Drawing number: AK2324
 Page: 4
 Version: Rev 1
 Date: 01.09.2015