

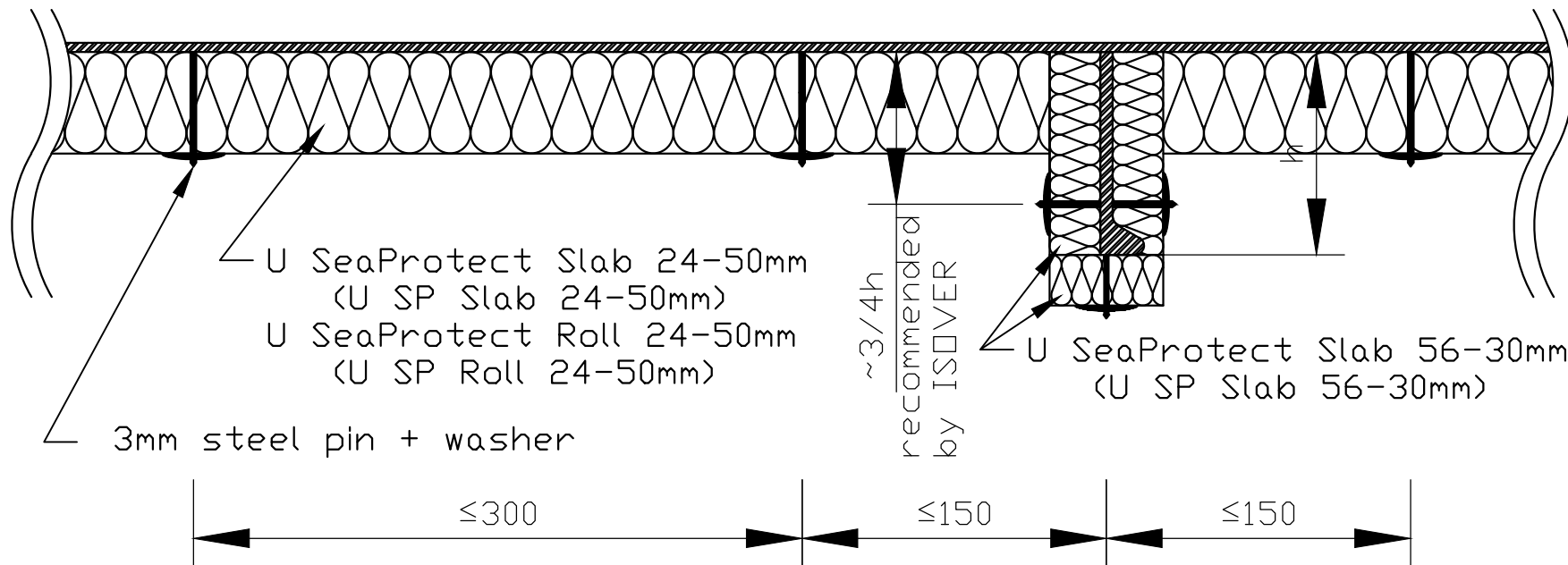
Different facings possible

Plate insulation = 50 mm	Stiffener insulation = 30 mm
U SeaProtect Slab / Roll 24 Alu1	U SeaProtect Slab 56 Alu1
U SeaProtect Slab / Roll 24 G120	U SeaProtect Slab 56 G120
U SeaProtect Slab / Roll 24 G220	U SeaProtect Slab 56 G220
U SeaProtect Slab 24 G420	U SeaProtect Slab 56 G420
U SeaProtect Slab 24 B-Al	U SeaProtect Slab 56 B-Al
U SeaProtect Slab 24 B-Gl	U SeaProtect Slab 56 B-Gl



A15 Steel Bulkhead - General Application
 ULTIMATE - U SeaProtect - Light design
 Plate: 24 - 50 mm / Stiffener: 56 - 30 mm
 Reference: MED-B-9516

Drawing number: AK2329
 Page: 1
 Version: Rev 1
 Date: 01.09.2015



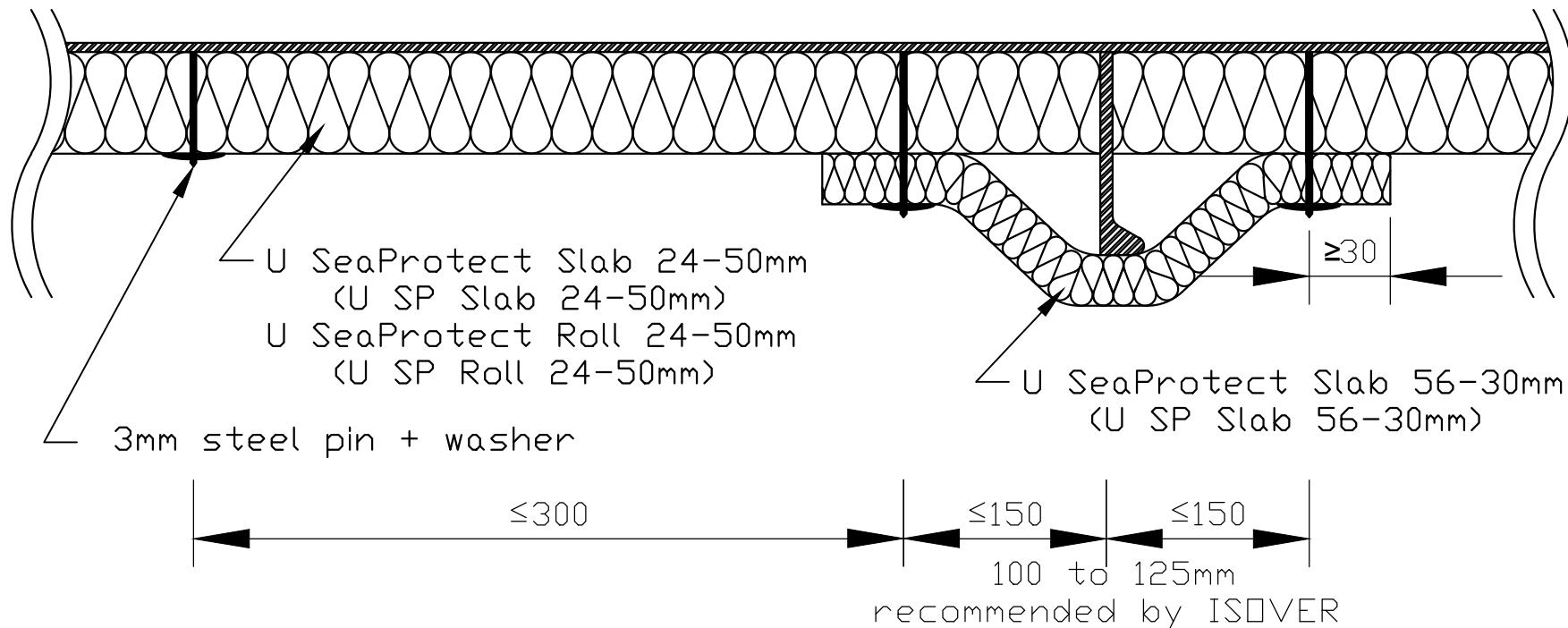
Different facings possible

Plate insulation = 50 mm	Stiffener insulation = 30 mm
U SeaProtect Slab / Roll 24 Alu1	U SeaProtect Slab 56 Alu1
U SeaProtect Slab / Roll 24 G120	U SeaProtect Slab 56 G120
U SeaProtect Slab / Roll 24 G220	U SeaProtect Slab 56 G220
U SeaProtect Slab 24 G420	U SeaProtect Slab 56 G420
U SeaProtect Slab 24 B-Al	U SeaProtect Slab 56 B-Al
U SeaProtect Slab 24 B-Gl	U SeaProtect Slab 56 B-Gl



A15 Steel Bulkhead - General Application
 ULTIMATE - U SeaProtect - Light design
 Plate: 24 - 50 mm / Stiffener: 56 - 30 mm
 Reference: MED-B-9516

Drawing number: AK2329
 Page: 2
 Version: Rev 1
 Date: 01.09.2015



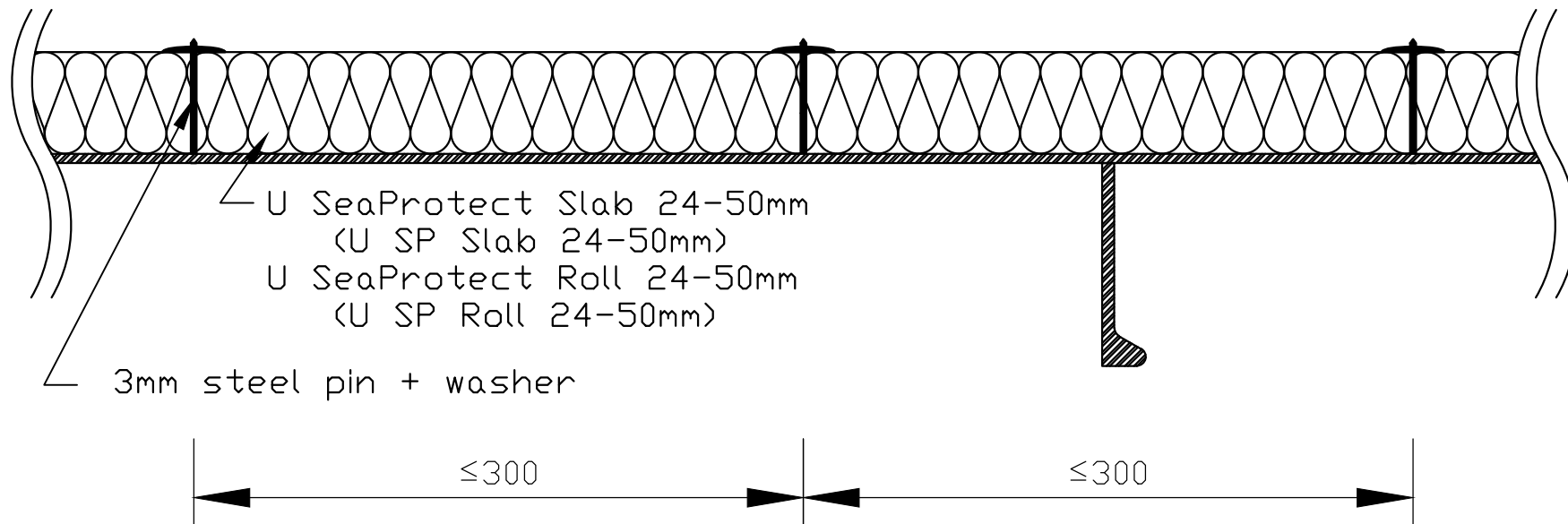
Different facings possible

Plate insulation = 50 mm	Stiffener insulation = 30 mm
U SeaProtect Slab / Roll 24 Alu1	U SeaProtect Slab 56 Alu1
U SeaProtect Slab / Roll 24 G120	U SeaProtect Slab 56 G120
U SeaProtect Slab / Roll 24 G220	U SeaProtect Slab 56 G220
U SeaProtect Slab 24 G420	U SeaProtect Slab 56 G420
U SeaProtect Slab 24 B-Al	U SeaProtect Slab 56 B-Al
U SeaProtect Slab 24 B-Gl	U SeaProtect Slab 56 B-Gl



A15 Steel Bulkhead - General Application
 ULTIMATE - U SeaProtect - Light design
 Plate: 24 - 50 mm / Stiffener: 56 - 30 mm
 Reference: MED-B-9516

Drawing number: AK2329
 Page: 3
 Version: Rev 1
 Date: 01.09.2015



Different facings possible

Plate insulation = 50 mm	Stiffener insulation = 30 mm
U SeaProtect Slab / Roll 24 Alu1	U SeaProtect Slab 56 Alu1
U SeaProtect Slab / Roll 24 G120	U SeaProtect Slab 56 G120
U SeaProtect Slab / Roll 24 G220	U SeaProtect Slab 56 G220
U SeaProtect Slab 24 G420	U SeaProtect Slab 56 G420
U SeaProtect Slab 24 B-Al	U SeaProtect Slab 56 B-Al
U SeaProtect Slab 24 B-Gl	U SeaProtect Slab 56 B-Gl



A15 Steel Bulkhead - General Application
 ULTIMATE - U SeaProtect - Light design
 Plate: 24 - 50 mm / Stiffener: 56 - 30 mm
 Reference: MED-B-9516

Drawing number: AK2329
 Page: 4
 Version: Rev 1
 Date: 01.09.2015