

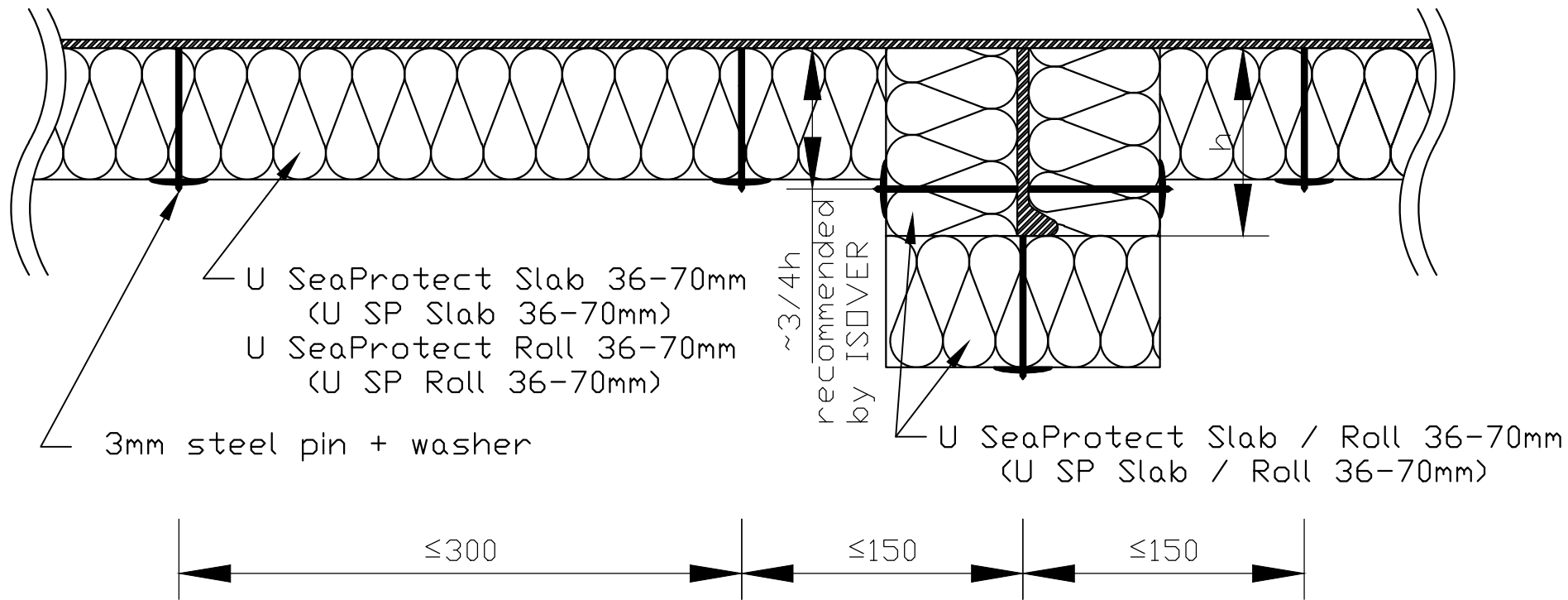
Different facings possible

Plate insulation = 70 mm	Stiffener insulation = 70 mm
U SeaProtect Slab / Roll 36 Alu1	U SeaProtect Slab / Roll 36 Alu1
U SeaProtect Slab / Roll 36 G120	U SeaProtect Slab / Roll 36 G120
U SeaProtect Slab / Roll 36 G220	U SeaProtect Slab / Roll 36 G220
U SeaProtect Slab 36 G420	U SeaProtect Slab 36 G420
U SeaProtect Slab 36 B-Al	U SeaProtect Slab 36 B-Al
U SeaProtect Slab 36 B-Gl	U SeaProtect Slab 36 B-Gl



A60 Steel Deck - General Application
 ULTIMATE - U SeaProtect - Standard design
 Plate: 36 - 70 mm / Stiffener: 36 - 70 mm
 Reference: MED-B-9519

Drawing number: AK2332
 Page: 1
 Version: Rev 1
 Date: 01.09.2015



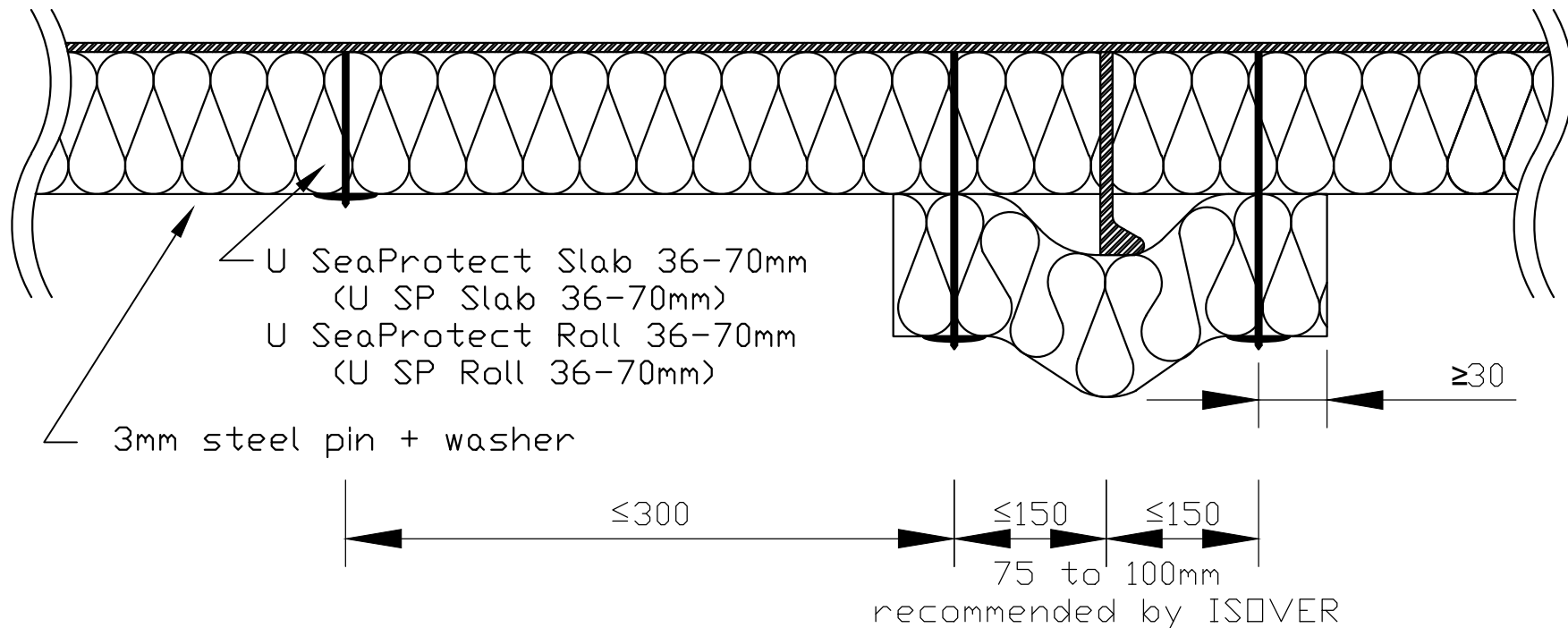
Different facings possible

Plate insulation = 70 mm	Stiffener insulation = 70 mm
U SeaProtect Slab / Roll 36 Alu1	U SeaProtect Slab / Roll 36 Alu1
U SeaProtect Slab / Roll 36 G120	U SeaProtect Slab / Roll 36 G120
U SeaProtect Slab / Roll 36 G220	U SeaProtect Slab / Roll 36 G220
U SeaProtect Slab 36 G420	U SeaProtect Slab 36 G420
U SeaProtect Slab 36 B-Al	U SeaProtect Slab 36 B-Al
U SeaProtect Slab 36 B-Gl	U SeaProtect Slab 36 B-Gl



A60 Steel Deck - General Application
 ULTIMATE - U SeaProtect - Standard design
 Plate: 36 - 70 mm / Stiffener: 36 - 70 mm
 Reference: MED-B-9519

Drawing number: AK2332
 Page: 2
 Version: Rev 1
 Date: 01.09.2015



Different facings possible

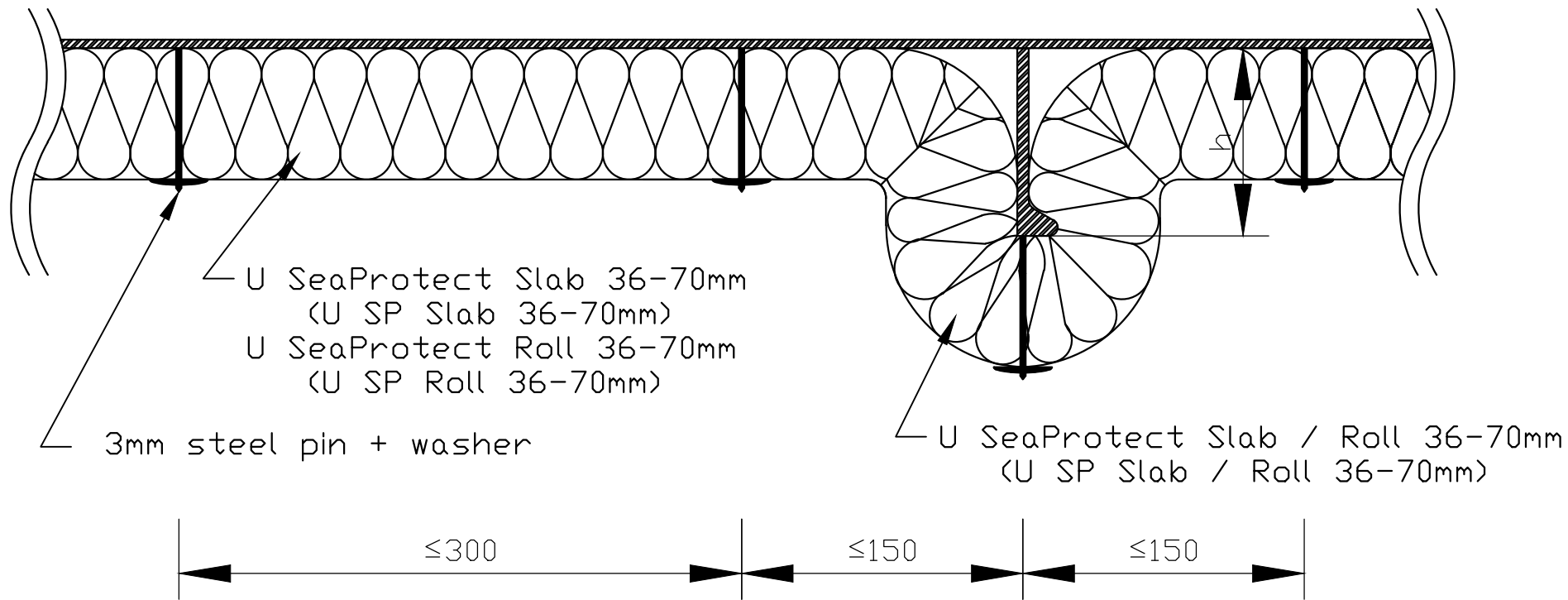
Plate insulation = 70 mm	Stiffener insulation = 70 mm
U SeaProtect Slab / Roll 36 Alu1	U SeaProtect Slab / Roll 36 Alu1
U SeaProtect Slab / Roll 36 G120	U SeaProtect Slab / Roll 36 G120
U SeaProtect Slab / Roll 36 G220	U SeaProtect Slab / Roll 36 G220
U SeaProtect Slab 36 G420	U SeaProtect Slab 36 G420
U SeaProtect Slab 36 B-Al	U SeaProtect Slab 36 B-Al
U SeaProtect Slab 36 B-Gl	U SeaProtect Slab 36 B-Gl



A60 Steel Deck - General Application
 ULTIMATE - U SeaProtect - Standard design
 Plate: 36 - 70 mm / Stiffener: 36 - 70 mm
 Reference: MED-B-9519

Drawing number: AK2332
 Page: 3
 Version: Rev 1
 Date: 01.09.2015

The drawing is to be considered as guidance material only. We recommend that you carefully check its suitability for your intended use. Any recommendation for installation or technical guidance in general given by ISOVER Marine & Offshore is purely advisory, based on the best of our knowledge at the time as a product manufacturer. No liability can be derived therefrom. ISOVER Marine & Offshore reserves the right to change its technical specifications at any time it deems appropriate. For more information, please check our website: www.isover-technical-insulation.com.



Different facings possible

Plate insulation = 70 mm	Stiffener insulation = 70 mm
U SeaProtect Slab / Roll 36 Alu1	U SeaProtect Slab / Roll 36 Alu1
U SeaProtect Slab / Roll 36 G120	U SeaProtect Slab / Roll 36 G120
U SeaProtect Slab / Roll 36 G220	U SeaProtect Slab / Roll 36 G220
U SeaProtect Slab 36 G420	U SeaProtect Slab 36 G420
U SeaProtect Slab 36 B-Al	U SeaProtect Slab 36 B-Al
U SeaProtect Slab 36 B-Gl	U SeaProtect Slab 36 B-Gl



A60 Steel Deck - General Application
 ULTIMATE - U SeaProtect - Standard design
 Plate: 36 - 70 mm / Stiffener: 36 - 70 mm
 Reference: MED-B-9519

Drawing number: AK2332
 Page: 4
 Version: Rev 1
 Date: 01.09.2015