

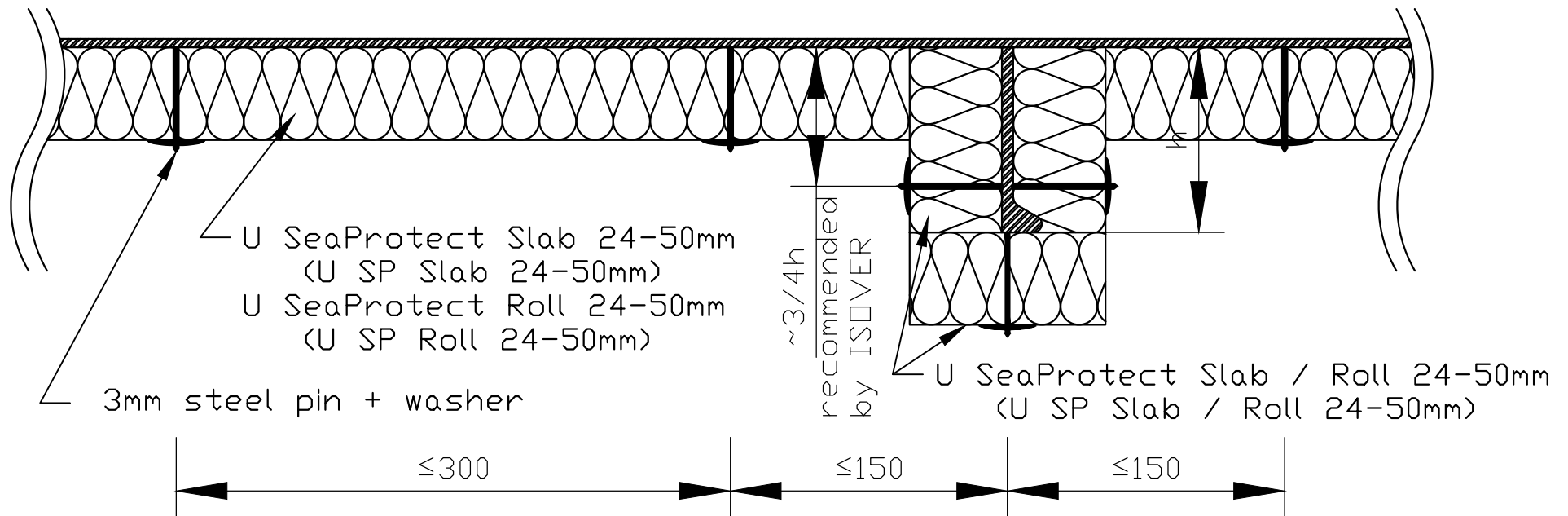
Different facings possible

Plate insulation = 50 mm	Stiffener insulation = 50 mm
U SeaProtect Slab / Roll 24 Alu1	U SeaProtect Slab / Roll 24 Alu1
U SeaProtect Slab / Roll 24 G120	U SeaProtect Slab / Roll 24 G120
U SeaProtect Slab / Roll 24 G220	U SeaProtect Slab / Roll 24 G220
U SeaProtect Slab 24 G420	U SeaProtect Slab 24 G420
U SeaProtect Slab 24 B-Al	U SeaProtect Slab 24 B-Al
U SeaProtect Slab 24 B-Gl	U SeaProtect Slab 24 B-Gl



A30 Steel Deck - General Application
 ULTIMATE - U SeaProtect - Standard design
 Plate: 24 - 50 mm / Stiffener: 24 - 50 mm
 Reference: MED-B-9328

Drawing number: AK2335
 Page: 1
 Version: Rev 1
 Date: 01.09.2015



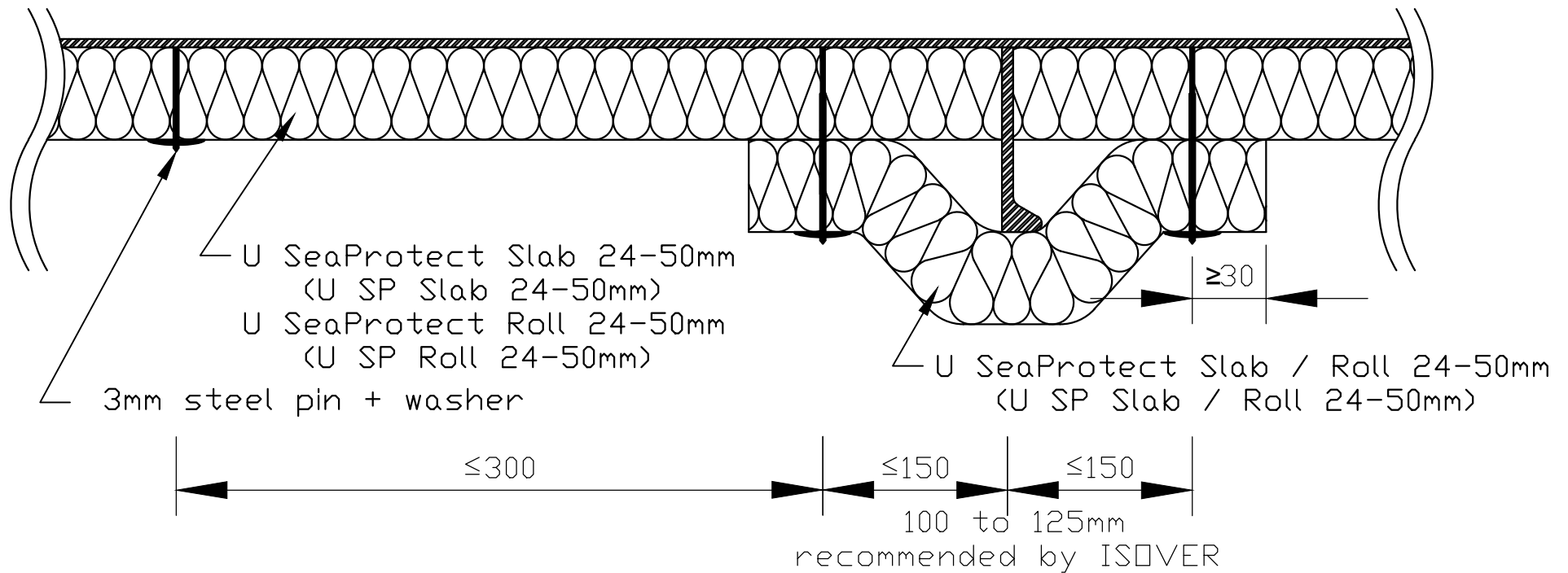
Different facings possible

Plate insulation = 50 mm	Stiffener insulation = 50 mm
U SeaProtect Slab / Roll 24 Alu1	U SeaProtect Slab / Roll 24 Alu1
U SeaProtect Slab / Roll 24 G120	U SeaProtect Slab / Roll 24 G120
U SeaProtect Slab / Roll 24 G220	U SeaProtect Slab / Roll 24 G220
U SeaProtect Slab 24 G420	U SeaProtect Slab 24 G420
U SeaProtect Slab 24 B-Al	U SeaProtect Slab 24 B-Al
U SeaProtect Slab 24 B-Gl	U SeaProtect Slab 24 B-Gl



A30 Steel Deck - General Application
 ULTIMATE - U SeaProtect - Standard design
 Plate: 24 - 50 mm / Stiffener: 24 - 50 mm
 Reference: MED-B-9328

Drawing number: AK2335
 Page: 2
 Version: Rev 1
 Date: 01.09.2015



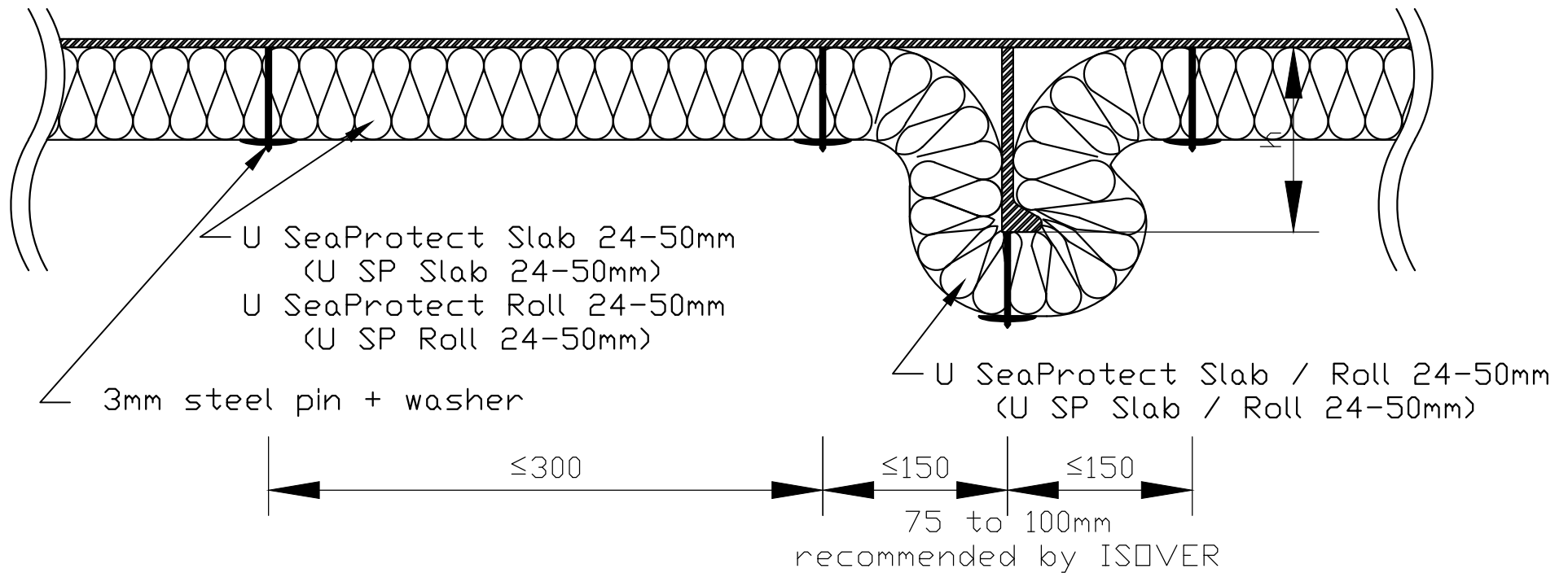
Different facings possible

Plate insulation = 50 mm	Stiffener insulation = 50 mm
U SeaProtect Slab / Roll 24 Alu1	U SeaProtect Slab / Roll 24 Alu1
U SeaProtect Slab / Roll 24 G120	U SeaProtect Slab / Roll 24 G120
U SeaProtect Slab / Roll 24 G220	U SeaProtect Slab / Roll 24 G220
U SeaProtect Slab 24 G420	U SeaProtect Slab 24 G420
U SeaProtect Slab 24 B-Al	U SeaProtect Slab 24 B-Al
U SeaProtect Slab 24 B-Gl	U SeaProtect Slab 24 B-Gl



A30 Steel Deck - General Application
 ULTIMATE - U SeaProtect - Standard design
 Plate: 24 - 50 mm / Stiffener: 24 - 50 mm
 Reference: MED-B-9328

Drawing number: AK2335
 Page: 3
 Version: Rev 1
 Date: 01.09.2015



Different facings possible

Plate insulation = 50 mm	Stiffener insulation = 50 mm
U SeaProtect Slab / Roll 24 Alu1	U SeaProtect Slab / Roll 24 Alu1
U SeaProtect Slab / Roll 24 G120	U SeaProtect Slab / Roll 24 G120
U SeaProtect Slab / Roll 24 G220	U SeaProtect Slab / Roll 24 G220
U SeaProtect Slab 24 G420	U SeaProtect Slab 24 G420
U SeaProtect Slab 24 B-Al	U SeaProtect Slab 24 B-Al
U SeaProtect Slab 24 B-Gl	U SeaProtect Slab 24 B-Gl



A30 Steel Deck - General Application
 ULTIMATE - U SeaProtect - Standard design
 Plate: 24 - 50 mm / Stiffener: 24 - 50 mm
 Reference: MED-B-9328

Drawing number: AK2335
 Page: 4
 Version: Rev 1
 Date: 01.09.2015