

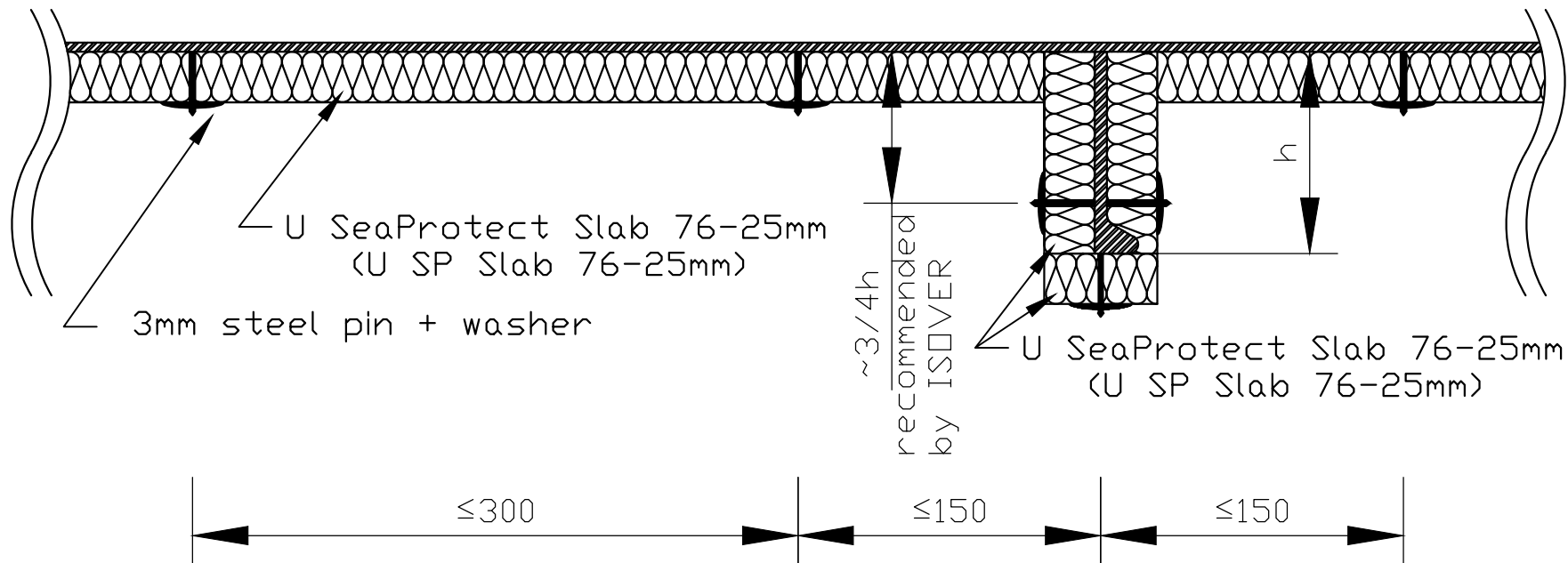
Different facings possible

Plate insulation = 25 mm	Stiffener insulation = 25 mm
U SeaProtect Slab 76 Alu1	U SeaProtect Slab 76 Alu1
U SeaProtect Slab 76 G120	U SeaProtect Slab 76 G120
U SeaProtect Slab 76 G220	U SeaProtect Slab 76 G220
U SeaProtect Slab 76 G420	U SeaProtect Slab 76 G420
U SeaProtect Slab 76 B-Al	U SeaProtect Slab 76 B-Al
U SeaProtect Slab 76 B-Gl	U SeaProtect Slab 76 B-Gl



A30 Steel Deck- General Application
 ULTIMATE - U SeaProtect - Thin design
 Plate: 76 - 25 mm / Stiffener: 76 - 25 mm
 Reference: MED-B-9328

Drawing number: AK2338
 Page: 1
 Version: Rev 1
 Date: 01.09.2015



Different facings possible

Plate insulation = 25 mm	Stiffener insulation = 25 mm
U SeaProtect Slab 76 Alu1	U SeaProtect Slab 76 Alu1
U SeaProtect Slab 76 G120	U SeaProtect Slab 76 G120
U SeaProtect Slab 76 G220	U SeaProtect Slab 76 G220
U SeaProtect Slab 76 G420	U SeaProtect Slab 76 G420
U SeaProtect Slab 76 B-Al	U SeaProtect Slab 76 B-Al
U SeaProtect Slab 76 B-Gl	U SeaProtect Slab 76 B-Gl



A30 Steel Deck- General Application
 ULTIMATE - U SeaProtect - Thin design
 Plate: 76 - 25 mm / Stiffener: 76 - 25 mm
 Reference: MED-B-9328

Drawing number: AK2338
 Page: 2
 Version: Rev 1
 Date: 01.09.2015